



DEPARTMENT OF REGULATORY AND ECONOMIC RESOURCES (RER)  
BOARD AND CODE ADMINISTRATION DIVISION

**NOTICE OF ACCEPTANCE (NOA)**

MIAMI-DADE COUNTY  
PRODUCT CONTROL SECTION  
11805 SW 26 Street, Room 208  
Miami, Florida 33175-2474  
T (786) 315-2590 F (786) 315-2599  
[www.miamidade.gov/economy](http://www.miamidade.gov/economy)

Fiberesin Industries, Inc.  
37031 E. Wisconsin Ave.  
Oconomowoc, WI 53066

**SCOPE:**

This NOA is being issued under the applicable rules and regulations governing the use of construction materials. The documentation submitted has been reviewed and accepted by Miami-Dade County RER-Product Control Section to be used in Miami Dade County and other areas where allowed by the Authority Having Jurisdiction (AHJ).

This NOA shall not be valid after the expiration date stated below. The Miami-Dade County Product Control Section (In Miami Dade County) and/or the AHJ (in areas other than Miami Dade County) reserve the right to have this product or material tested for quality assurance purposes. If this product or material fails to perform in the accepted manner, the manufacturer will incur the expense of such testing and the AHJ may immediately revoke, modify, or suspend the use of such product or material within their jurisdiction. RER reserves the right to revoke this acceptance, if it is determined by Miami-Dade County Product Control Section that this product or material fails to meet the requirements of the applicable building code.

This product is approved as described herein, and has been designed to comply with the Florida Building Code, including the High Velocity Hurricane Zone.

**DESCRIPTION: Stonewood Composite Architectural Wall Panel System**

**APPROVAL DOCUMENT:** Engineering Report & Drawings No. 15-172-FStW-Wall-ER, titled "Stonewood Exterior Architectural Panels Composite Wall Panel System", sheets 1 through 11 of 11, dated 05/04/2016, with revision 2 dated 08/09/2016, prepared by CBUCK, Inc., signed and sealed by James L. Buckner, P.E., bearing the Miami-Dade County Product Control approval stamp with the Notice of Acceptance number and approval date by the Miami-Dade County Product Control Section.

**MISSILE IMPACT RATING: Large and Small Missile Impact Resistant**

**LABELING:** Each unit shall bear a permanent label with the manufacturer's name or logo, city, state, model/series, and following statement: "Miami-Dade County Product Control Approved", unless otherwise noted herein.

**RENEWAL** of this NOA shall be considered after a renewal application has been filed and there has been no change in the applicable building code negatively affecting the performance of this product.

**TERMINATION** of this NOA will occur after the expiration date or if there has been a revision or change in the materials, use, and/or manufacture of the product or process. Misuse of this NOA as an endorsement of any product, for sales, advertising or any other purposes shall automatically terminate this NOA. Failure to comply with any section of this NOA shall be cause for termination and removal of NOA.

**ADVERTISEMENT:** The NOA number preceded by the words Miami-Dade County, Florida, and followed by the expiration date may be displayed in advertising literature. If any portion of the NOA is displayed, then it shall be done in its entirety.

**INSPECTION:** A copy of this entire NOA shall be provided to the user by the manufacturer or its distributors and shall be available for inspection at the job site at the request of the Building Official. This NOA consists of this page 1 and evidence page E-1, as well as approval document mentioned above. The submitted documentation was reviewed by **Carlos M. Utrera, P.E.**



*Signature*  
09/13/2016

NOA No. 15-1103.05  
Expiration Date: September 22, 2021  
Approval Date: September 22, 2016  
Page 1

**NOTICE OF ACCEPTANCE: EVIDENCE SUBMITTED**

**A. DRAWINGS**

1. Engineering Report & Drawings No. **15-172-FStW-Wall-ER**, titled "Stonewood Exterior Architectural Panels Composite Wall Panel System", sheets 1 through 11 of 11, dated 05/04/2016, with revision 2 dated 08/09/2016, prepared by CBUCK, Inc., signed and sealed by James L. Buckner, P.E.

**B. TESTS**

1. Test reports on 1) Uniform Static Air Pressure Test, Loading per FBC TAS 202-94  
2) Cyclic Wind Pressure Loading per FBC, TAS 203-94  
along with marked-up drawings of Stonewood Exterior Architectural Panels, prepared by Intertek-ATI, Test Report No. **E0329.01-602-18**, dated 01/29/2015, signed and sealed by Shawn G. Collins, P.E.
2. Test reports on Mechanical Properties of the Stonewood Architectural Panels per ASTM D4761-13 and Mechanical Fasteners in the Stonewood Architectural Panels per ASTM D1761-12, prepared by Intertek-ATI, Test Report No. **F4932.01-106-18**, dated 03/19/2016, signed and sealed by Joseph A. Reed, P.E.

**C. CALCULATIONS**

1. None.

**D. QUALITY ASSURANCE**

1. Miami-Dade Department of Regulatory and Economic Resources (RER)

**E. MATERIAL CERTIFICATIONS**

1. Test reports on Surface Burning Characteristics per ASTM E84-15 of Stonewood UV-FR Expera 70# Class A – Trial 1 paper, prepared by Intertek, Test Report No. **102354564SAT-001A**, dated 11/16/2015, with revision 1 dated 08/05/2016, signed and sealed by Rick Curkeet, P.E.

**F. STATEMENTS**

1. Statement letter of code conformance to the 5<sup>th</sup> edition (2014) FBC issued by CBUCK, Inc., dated 05/30/2016, signed and sealed by James L. Buckner, P.E.
2. Statement letter of no financial interest issued by CBUCK, Inc., dated 05/30/2016, signed and sealed by James L. Buckner, P.E.



Carlos M. Utrera, P.E.  
Product Control Examiner  
NOA No. 15-1103.05

Expiration Date: September 22, 2021  
Approval Date: September 22, 2016

**Engineering Report & Drawings**  
**Of**  
**Fiberesin Industries, Inc.**  
**“Stonewood Exterior Architectural Panels”**  
**Composite Wall Panel System**

**For**  
**Miami-Dade Notice of Acceptance (N.O.A.)**


**Category: Cladding**  
**Sub - Category: Siding**



**Prepared by:**  
**James L. Buckner, P.E.**  
 Florida Professional Engineer # 31242  
 Project Manager: Youry Demosthenes  
 Report No.: 15-172-FStW-Wall-ER  
 Date: 5 / 4 / 16  
 Revision: 8 / 9 / 16

Contents:

|  |           |
|--|-----------|
| Cover Page                             | Page 1    |
| Product Details                        | Page 2    |
| Performance/Limitations/Reference Data | Page 3-4  |
| Assembly Components                    | Page 5-7  |
| Installation Drawings & Details        | Page 8-11 |

Approved as complying with the  
 Florida Building Code  
 Date 09/22/2016  
 NOA# 15-1103.05  
 Miami Dade Product Control

By 

|  |   |   |  |
|--|---|---|--|
| Fiberesin “Stonewood” Composite Wall Panel Systems<br><b>ENGINEERING REPORT</b>  |   |   |  |
| <br>JAMES L. BUCKNER, P.E.<br>FLORIDA P.E. #31242<br>8/9/16 | <br>CBUCK, Inc. COA #8064<br>www.cbuckinc.net<br>(561) 491-9927<br>2637 E. Atlantic Blvd, # 34026<br>Pompano Beach, FL 33062 | <b>MANUFACTURER:</b><br>Fiberesin Industries, Inc.<br>37031 E Wisconsin Ave.<br>P.O. Box 88<br>Oconomowoc, WI 53066 | DATE: 5 / 4 / 16<br>PAGE #: 1 OF 11<br>REPORT #: 15-172-FStW-Wall-ER<br>PROJECT #: 15-172<br>DRAWN BY: YD<br>REV 2: 8 / 9 / 16 |

**1.0 Product:**

- 1.1 **Manufacturer:** Fiberesin Industries, Inc.
- 1.2 **Product Name:** "Stonewood Exterior Architectural Panels"
- 1.3 **Category:** Cladding
- 1.4 **Subcategory:** Siding

**2.0 Evaluation Scope:**

**2.1 Evaluation Criteria:**

Florida Building Code (FBC) 5th Edition (2014)  
 Code Section: High Velocity Hurricane Zone (HVHZ)  
 Miami-Dade Department Of Regulatory And Economic Resources, Product Control Section  
 Checklists # 0285, # 0275 and # 0475

**2.2 Properties Evaluated:**

Wind Resistance Properties  
 Uniform Static Air Pressure per TAS 202  
 Air Infiltration per TAS 202  
 Water Penetration per TAS 202  
 Cyclic Wind Pressure per TAS 203

Material Properties  
 Moisture Durability per ASTM D4761 & ASTM D1761

Fire and Flame Properties  
 Flame Spread Index per ASTM E84  
 Smoke Developed Index per ASTM E84

**2.3 Limits of Evaluation:**

This product is limited to compliance with the criteria in section 2.1 and properties in section 2.2 of this report.

**3.0 Evaluated Uses:**

Fiberesin "Stonewood Architectural Panels" are evaluated for use as ventilated exterior wall panels for building cladding or rainscreen applications.

**4.0 Assembly Description:**

**4.1 General:**

Fiberesin "Stonewood Architectural Panels" are manufactured with a phenolic resin-impregnated kraft paper and a face of melamine resin-impregnated decorative pattern, compressed at high pressure and temperature protected by a UV-blocking layer. These panels can be applied in both vertical and horizontal orientation. Panels are anchored to supports with clips, screws and aluminum furring.

**4.2 Panel Dimensions:**

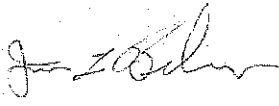
Height\*: 4 ft. (48") Maximum  
 Width\*: 8 ft. (96") Maximum  
 Evaluated Thickness: 3/8"

*\* Height and Width may be reversed depending on the panel orientation.*

Approved as complying with the  
 Florida Building Code  
 Date 09/22/2016  
 NOA# 15-1103.05  
 Miami Dade Product Control

By 

Fiberesin "Stonewood" Composite Wall Panel Systems  
 ENGINEERING REPORT

  
 JAMES L. BUCKNER, P.E.  
 FLORIDA P.E. #31242  
 8/9/16

  
 CBUCK Engineering  
 Specialty Structural Engineering  
 CBUCK, Inc. COA #8064  
 www.cbuckinc.net  
 (561) 491-9927  
 2637 E. Atlantic Blvd, # 34026  
 Pompano Beach, FL 33062

**MANUFACTURER:**  
 Fiberesin Industries, Inc.  
 37031 E Wisconsin Ave.  
 P.O. Box 88  
 Oconomowoc, WI 53066

|            |                     |
|------------|---------------------|
| DATE:      | 5 / 4 / 16          |
| PAGE #:    | 2 OF 11             |
| REPORT #:  | 15-172-FStW-Wall-ER |
| PROJECT #: | 15-172              |
| DRAWN BY:  | YD                  |
| REV 2:     | 8 / 9 / 16          |

### 5.0 Support:

The Support structural is designed by others and shall have the following minimum Characteristics:

Type: Vertical Studs  
Material: Steel  
Thickness: 18 Ga. Minimum  
Yield Strength: 33 ksi Minimum  
Support Spacing: 16" o.c. Maximum

### 6.0 Performance:

#### 6.1 Wind Resistance:

Standard: TAS 202 & 203  
Design Pressure (ASD): Positive + 75 PSF  
Negative - 75 PSF

#### Notes:

- Design pressures based on support conditions listed in section 5.0 of this report
- Allowable design pressure(s) for allowable stress design (ASD).
- Fastener Attachment to Steel Supports May Be Designed By A Qualified Design Professional As Required By The Florida Building Code For Site Specific Projects.
- Diaphragm and axial load capacity are not included in this evaluation.

#### 6.2 Air Infiltration:

Standard: TAS 202  
Results: < 0.01 cfm/ft<sup>2</sup>

#### 6.3 Water Penetration:

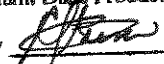
Standard: TAS 202  
Results: Passed

#### 6.4 Cyclic Wind Pressure:

Standard: TAS 203  
Results: Passed

#### 6.5 Fire Classification:


Standard: ASTM E 84  
Required Tested  
Flame Spread Index: < 75 5  
Smoke Developed Index: < 450 5

Approved as complying with the  
Florida Building Code  
Date 09/22/2016  
NOA# 15-1103.05  
Miami Dade Product Control  
By 

### 7.0 Installation:

- Attach 5/8" plywood sheathing to steel studs with #8 x 1-1/4" hex-head screws, spaced 16" o.c. in both vertical and horizontal directions.
- Install the Vaproshield Reveal Shield SA per the manufacturer's instruction with a 6" overlap and Dow758 sealant in corners and terminating edges.
- Position the 2" Cascadia clips per manufacturer's instructions at each stud (16" on center) and 24" vertical spacing along each stud.
- Attach the Cascadia Clips to the Vertical steel stud supports by passing the fasteners through the aluminum furring and Cascadia clips. Fastener Spacing is 16" Horizontally & 24" Vertically to match the Cascadia Clip layout. For additional information, refer to Standard Stonewood Details ([www.stonewoodpanels.com](http://www.stonewoodpanels.com))
- Mount panels to the vertical aluminum furring ensuring that each panel has 1 fixed point in the center and the rest floating points as detailed in the standard Stonewood installation instructions.

### Fiberesin "Stonewood" Composite Wall Panel Systems ENGINEERING REPORT

  
JAMES L. BUCKNER, P.E.  
FLORIDA P.E. #31242  
8/9/16

  
Specialty Structural Engineering  
CBUCK, Inc. COA #8064  
www.cbuckinc.net  
(561) 491-9927  
2637 E. Atlantic Blvd, # 34026  
Pompano Beach, FL 33062

MANUFACTURER:  
Fiberesin Industries, Inc.  
37031 E Wisconsin Ave.  
P.O. Box 88  
Oconomowoc, WI 53066

DATE: 5 / 4 / 16  
PAGE #: 3 OF 11  
REPORT #: 15-172-FStW-Wall-ER  
PROJECT #: 15-172  
DRAWN BY: YD  
REV 2: 8 / 9 / 16

**8.0 Limitations of Use:**

- 8.1 The panel supports shall be 18 gauge minimum.
- 8.2 Maximum support spacing shall not be exceeded.
- 8.3 The panels shall be supported by structural framing members complying with the Miami-Dade (Florida High velocity zone) code.
- 8.4 Panel shall not be used as axial load bearing components and shall not be intended / designed to act as a diaphragm.
- 8.5 The engineer of record or architect shall verify that the supporting structure is capable of resisting the superimposed loads from the wall panel system and that the supporting structure is capable of providing lateral stability to carry the wind loads to the building foundation.

**9.0 Code Compliance**

- 9.1 Product meets the High Velocity Hurricane Zone (HVHZ) Requirements of the Florida Building Code, 5<sup>th</sup> Edition (2014) for the properties evaluated.

**10.0 Identification:**

- 10.1 Each Panel shall bear a permanent label with the manufacturer's name or logo, manufacturing plant's city, state and the statement reading "Miami-Dade County Product Control Approved" is to be located on each panel.

**11.0 Reference Data:**

- 11.1 TAS 202 – Air Infiltration Test, Uniform Static Air Pressure Test & Water Resistant Test  
TAS 203 – Cyclic Wind Pressure Loading.  
By: Intertek/Architectural Testing, Inc. (Schofield, WI)  
Report No.: E0329.01-602-18; Report Date: 1/29/15
- 11.2 Durability of Wood-Base Structural Composite Panels  
ASTM D 4671 – Flexural Strength  
ASTM D 1761 – Fastener Pull-Through, Horizontal & Vertical Shear  
By: Intertek/Architectural Testing, Inc. (York, PA)  
Report Number: F4932.01-106-18; Report Date: 3/29/16
- 11.3 ASTM E 84 – Flame Spread Index /Smoke Density  
By: Intertek Testing Services NA, Inc. (Elmendorf, TX)  
Report Number: 102354564SAT-001A; Report Date: 11/16/15

Approved as complying with the  
Florida Building Code  
Date 09/22/2016  
NOA# 15-1103.05  
Miami Dade Product Control  
By [Signature]

Fiberesin "Stonewood" Composite Wall Panel Systems  
ENGINEERING REPORT

[Signature]  
JAMES L. BUCKNER, P.E.  
FLORIDA P.E. #31242  
8/9/16

**CBUCK Engineering**  
Specialty Structural Engineering  
CBUCK, Inc. COA #8064  
www.cbuckinc.net  
(561) 491-9927  
2637 E. Atlantic Blvd, # 34026  
Pompano Beach, FL 33062

**MANUFACTURER:**  
Fiberesin Industries, Inc.  
37031 E Wisconsin Ave.  
P.O. Box 88  
Oconomowoc, WI 53066

|            |                     |
|------------|---------------------|
| DATE:      | 5 / 4 / 16          |
| PAGE #:    | 4 OF 11             |
| REPORT #:  | 15-172-FStW-Wall-ER |
| PROJECT #: | 15-172              |
| DRAWN BY:  | YD                  |
| REV 2:     | 8 / 9 / 16          |

**12.0 Product Components:**

**12.1 Panel**

Identification: Stonewood Exterior Architectural Wall Panel  
 Exterior Finishes: Available in various architectural finishes & profiles.  
 Core Material: Phenolic Resin  
 Surface Material: Melamine Resin (Hard Thermosetting Plastic)  
 Core Density: 82 pcf Nominal  
 Tensile Strength: 13 ksi Minimum (Per ASTM D638)  
 Flexural Strength: 16 ksi Minimum (Per ASTM D790)

**12.2 NorthClad Extruded Aluminum Vertical "Hat" Furring:**

Use: This is a hat channel used to secure panels to the Cascadia Clips.  
 Part No.: EFHB  
 Material: Aluminum  
 Alloy: 6061-T6  
 Nominal Thickness: 0.090"  
 Nominal Dimension: 1" x 5"

**12.3 NorthClad Extruded Aluminum Vertical "Z" Furring:**


Use: This is a "Z" channel used to secure panels to the Cascadia Clips.  
 Part No.: EFZM & EFZB  
 Material: Aluminum  
 Alloy: 6061-T6  
 Nominal Thickness: 0.090 "  
 Nominal Dimension: 1" x 2.25"

**12.4 2" Cascadia Clip:**

Use: This is a thermal spacer component used to secure extruder aluminum furring to vertical steel studs.  
 Manufacturer: Cascadia Windows LTD.  
 Material: Fiberglass  
 Nominal Dimension: 2" Depth x 4" Long

**12.5 Horizontal Joint Flashing:**

Use: This is a brake formed flashing component installed over the vertical furring and secured with panel screws.  
 Part No.: EFB03  
 Material: Aluminum  
 Alloy: 6061-T6  
 Nominal Thickness: 0.032"  
 Nominal Dimension: 2-11/16" x width of panel


Approved as complying with the  
 Florida Building Code  
 Date 09/22/2016  
 NOA# 15-1103.05  
 Miami Dade Product Control  
 By 

Fiberesin "Stonewood" Composite Wall Panel Systems  
 ENGINEERING REPORT



JAMES L. BUCKNER, P.E.  
 FLORIDA P.E. #31242

8/9/16

  
 CBUCK, Inc. COA #8064  
 www.cbuckinc.net  
 (561) 491-9927  
 2637 E. Atlantic Blvd, # 34026  
 Pompano Beach, FL 33062

MANUFACTURER:  
 Fiberesin Industries, Inc.  
 37031 E Wisconsin Ave.  
 P.O. Box 88  
 Oconomowoc, WI 53066

|            |                     |
|------------|---------------------|
| DATE:      | 5 / 4 / 16          |
| PAGE #:    | 5 OF 11             |
| REPORT #:  | 15-172-FStW-Wall-ER |
| PROJECT #: | 15-172              |
| DRAWN BY:  | YD                  |
| REV 2:     | 8 / 9 / 16          |

**12.6 Perforated Top Flashing:**

Use: This is a brake formed flashing component located typically at the top of the wall and at window sill.

Location: This component is sandwiched between the Cascadia clips and the vertical furring.

Part No.: EFB01

Material: Aluminum

Alloy: 6061-T6

Nominal Thickness: 0.032"

Nominal Dimension: 1.4 x 2.5

**12.7 Perforated Sill "L" Flashing:**

Use: This is a brake formed flashing component located typically at the base of the wall and at window head.

Location: This component is sandwiched between the Cascadia clips and the vertical furring.

Part No.: EFB01

Material: Aluminum

Alloy: 6061-T6

Nominal Thickness: 0.032"

Nominal Dimension: 1.4 x 2.5

**12.8 Insulation Board:**

Use: This is an insulation layer located between the extruded aluminum furring and the plywood sheathings.

Identification: Roxul® CavityRock

Material: Fiberglass

Nominal Board Thickness: 2"

Nominal Board Dimension: 16" Wide x 48"

**12.9 Sheathing Board:**

Use: This is a sheathing board located between steel stud supports and Cascadia Clips.

Identification: CDX Plywood

Nominal Board Thickness: 5/8" (19/32")

**12.10 Vapor Barrier/Underlayment:**

Use: This is a water resistive vapor permeable air barrier sheet membrane self-adhered to plywood sheathing.

Identification: RevealShield SA™

Part No.: 13309090

Nominal Roll Thickness: 0.626 mil

Nominal Roll Dimension: 59" x 102"

Approved as complying with the  
 Florida Building Code  
 Date 09/22/2016  
 NOA# 15-1103.02  
 Miami Dade Product Control  
 By [Signature]

Fiberesin "Stonewood" Composite Wall Panel Systems  
 ENGINEERING REPORT

[Signature]  
 JAMES L. BUCKNER, P.E.  
 FLORIDA P.E. #31242  
 8/9/16

**CBUCK Engineering**  
 Specialty Structural Engineering  
 CBUCK, Inc. COA #8064  
 www.cbuckinc.net  
 (561) 491-9927  
 2637 E. Atlantic Blvd, # 34026  
 Pompano Beach, FL 33062

**MANUFACTURER:**  
 Fiberesin Industries, Inc.  
 37031 E Wisconsin Ave.  
 P.O. Box 88  
 Oconomowoc, WI 53066

DATE: 5 / 4 / 16  
 PAGE #: 6 OF 11  
 REPORT #: 15-172-FStW-Wall-ER  
 PROJECT #: 15-172  
 DRAWN BY: YD  
 REV 2: 8 / 9 / 16



**12.11 Panel Fasteners:**

Use: These are screws used to attach the Fibersin panel to extruded aluminum furring.

Size: #12 × 1-3/16

Type: Truss Head, Self-Drilling Screws w/ Neoprene Washers

Material: Stainless Steel

Corrosion Resistance: Per FBC HVHZ Specifications

**12.12 Clip Fasteners:**

Use: This is a screw used to attach the extruded aluminum furring through the Cascadia Clips to Steel Studs.

Size: #14 × 4"

Type: Hex Head, Self-Drilling Screws w/ Neoprene Washers

Material: Stainless Steel

Corrosion Resistance: Per FBC HVHZ Specifications

**12.13 Plywood Fasteners:**

Use: These are screws used to attach the plywood sheathings to Steel Studs.

Size: #8 × 1-1/4"

Type: Self-Drilling Screw, THP

Material: Stainless Steel

Corrosion Resistance: Per FBC HVHZ Specifications

Spacing: 16" o.c. (Vertically along each stud)

Approved as complying with the  
 Florida Building Code  
 Date 09/22/2016  
 NOA# 15-1103.05  
 Miami Dade Product Control  
 By [Signature]

Fibersin "Stonewood" Composite Wall Panel Systems  
 ENGINEERING REPORT

[Signature]

JAMES L. BUCKNER, P.E.  
 FLORIDA P.E. #31242

8/9/16

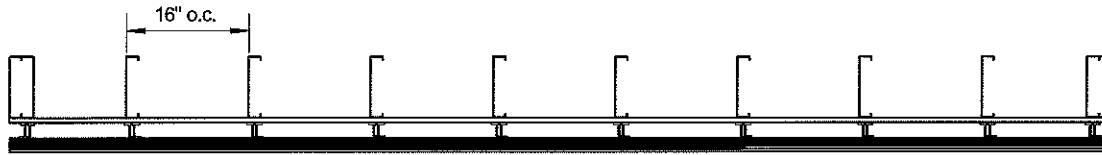
**CBUCK Engineering**  
 Specialty Structural Engineering  
 CBUCK, Inc. COA #8064  
 www.cbuckinc.net  
 (561) 491-9927  
 2637 E. Atlantic Blvd, # 34026  
 Pompano Beach, FL 33062

**MANUFACTURER:**  
 Fibersin Industries, Inc.  
 37031 E Wisconsin Ave.  
 P.O. Box 88  
 Oconomowoc, WI 53066

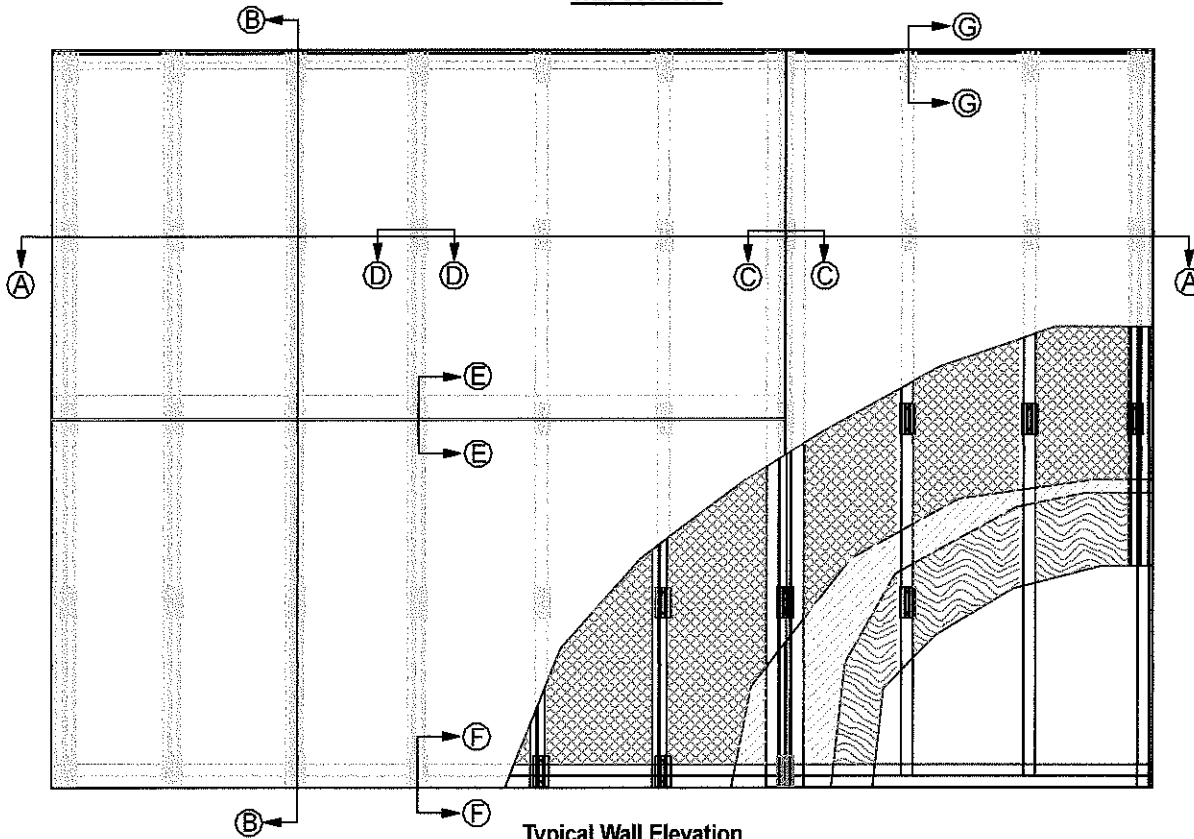
|            |                     |
|------------|---------------------|
| DATE:      | 5 / 4 / 16          |
| PAGE #:    | 7 OF 11             |
| REPORT #:  | 15-172-FStW-Wall-ER |
| PROJECT #: | 15-172              |
| DRAWN BY:  | YD                  |
| REV 2:     | 8 / 9 / 16          |

**FIBERESIN INDUSTRIES, INC.**  
**"Stonewood Exterior Architectural Panels"**  
**INSTALLATION DRAWINGS**

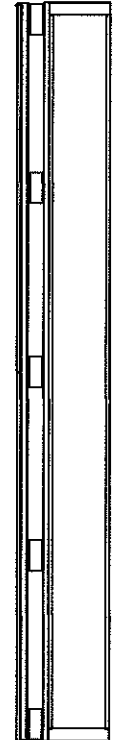
**Typical Wall Assembly Elevation**



**Wall Section A**



**Typical Wall Elevation**



**Wall Section B**

- Insulation Board Layer
- RevealShield SA Vapor Barrier
- CDX Plywood Sheathing Layer

Refer to Detail Sections  
for Component Descriptions and Layers Arrangement

Approved as complying with the  
Florida Building Code  
Date 09/22/2016  
NOA# 15-1103.05  
Miami Dade Product Control

By

**NOTES:**

1. REFER TO MANUFACTURER INSTALLATION GUIDELINES FOR ADDITIONAL STEP BY STEP INSTRUCTIONS AS A SUPPLEMENT.

NOT TO SCALE

**Fiberesin "Stonewood" Composite Wall Panel Systems  
ENGINEERING REPORT**

**JAMES L. BUCKNER, P.E.**  
 FLORIDA P.E. #31242  
 8/9/16

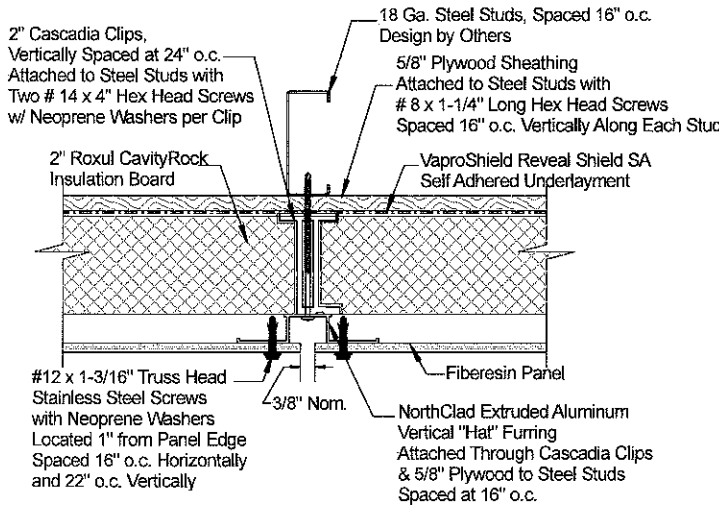
**CBUCK Engineering**  
 Specialty Structural Engineering  
 CBUCK, Inc. COA #8064  
 www.cbuckinc.net  
 (561) 491-9927  
 2637 E. Atlantic Blvd, # 34026  
 Pompano Beach, FL 33062

**MANUFACTURER:**  
 Fiberesin Industries, Inc.  
 37031 E Wisconsin Ave.  
 P.O. Box 88  
 Oconomowoc, WI 53066

|            |                     |
|------------|---------------------|
| DATE:      | 5 / 4 / 16          |
| PAGE #:    | 8 OF 11             |
| REPORT #:  | 15-172-FStW-Wall-ER |
| PROJECT #: | 15-172              |
| DRAWN BY:  | YD                  |
| REV 2:     | 8 / 9 / 16          |

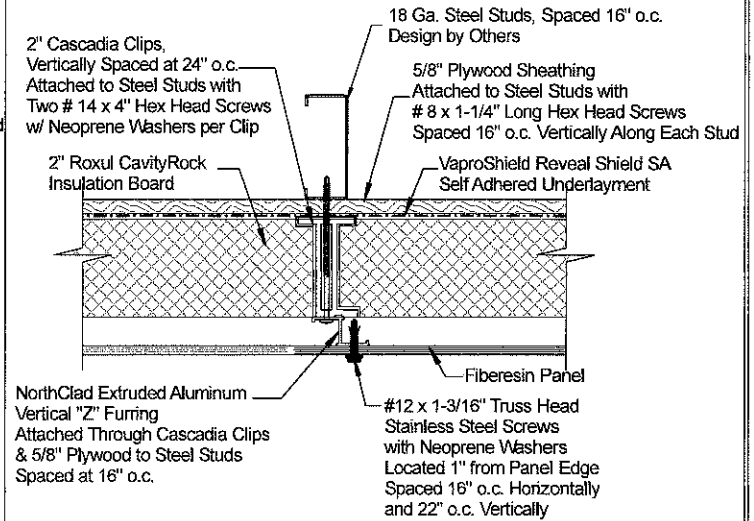
FIBERESIN INDUSTRIES, INC.

“Stonewood Exterior Architectural Panels”  
INSTALLATION DRAWINGS



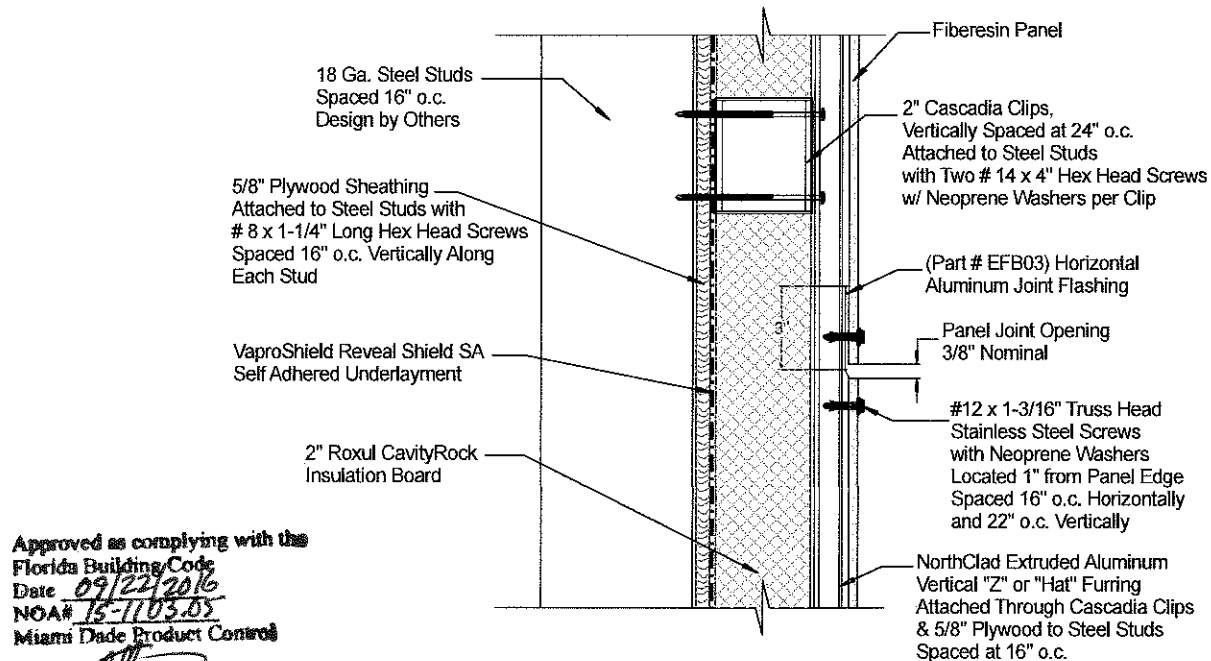
**Detail C**

Typical Vertical Joint Section View



**Detail D**

Typical Panel Fastening Between Joints Section View



**Detail E**

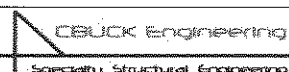
Typical Horizontal Joint Section View

NOT TO SCALE

Approved as complying with the  
Florida Building Code  
Date 09/22/2016  
NOA# 15-1103.05  
Miami Dade Product Control

By 

Fiberresin “Stonewood” Composite Wall Panel Systems  
ENGINEERING REPORT

 CBUCK Engineering  
Specialty Structural Engineering

CBUCK, Inc. COA #8064  
www.cbuckinc.net  
(561) 491-9927  
2637 E. Atlantic Blvd, # 34026  
Pompano Beach, FL 33062

MANUFACTURER:

Fiberresin Industries, Inc.  
37031 E Wisconsin Ave.  
P.O. Box 88  
Oconomowoc, WI 53066

DATE: 5 / 4 / 16

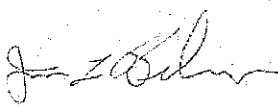
PAGE #: 9 OF 11

REPORT #: 15-172-FStW-Wall-ER

PROJECT #: 15-172

DRAWN BY: YD

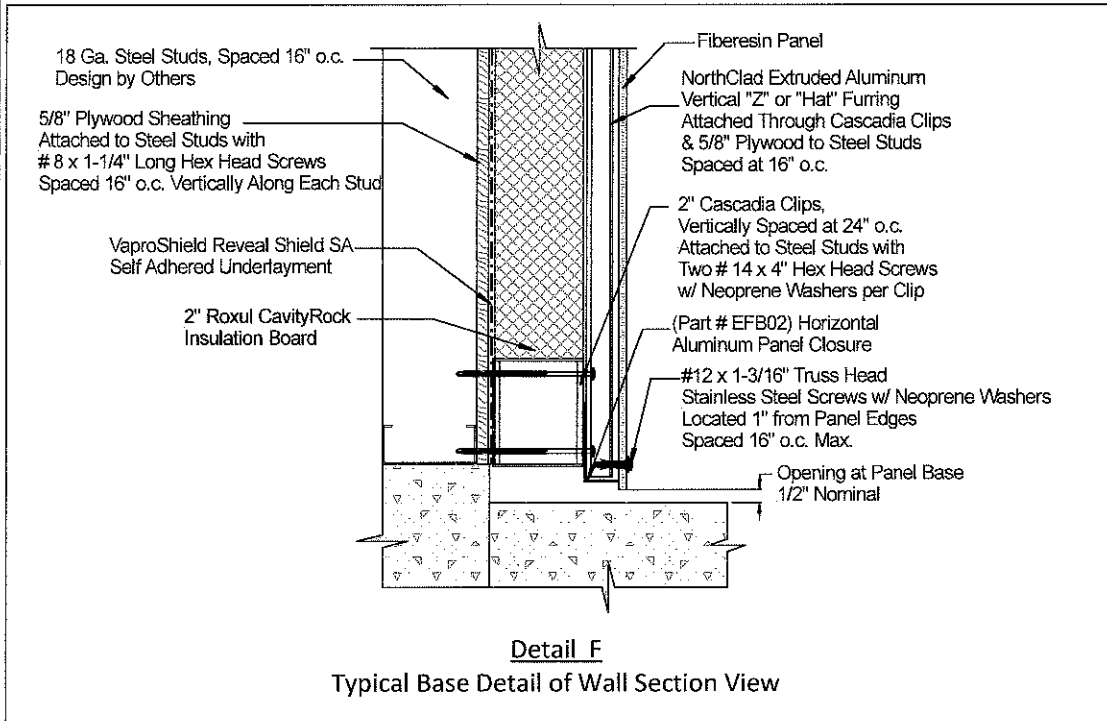
REV 2: 8 / 9 / 16

  
JAMES L. BUCKNER, P.E.  
FLORIDA P.E. #31242

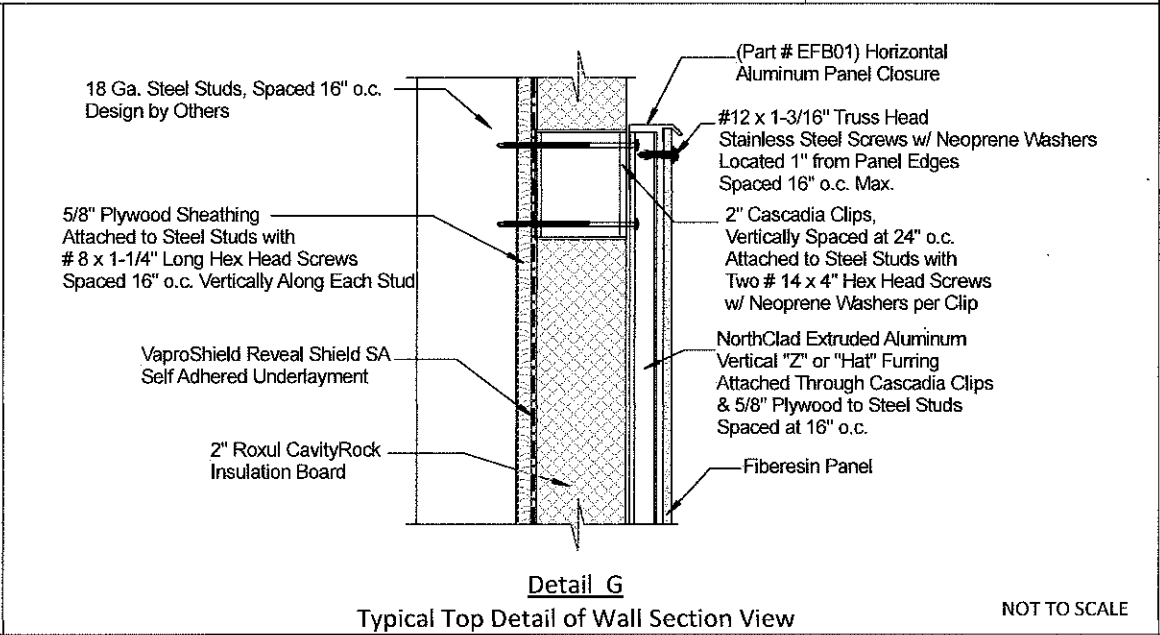
8/9/16

FIBERESIN INDUSTRIES, INC.

"Stonewood Exterior Architectural Panels"  
INSTALLATION DRAWINGS



Approved as complying with the  
Florida Building Code  
Date 09/22/2016  
NOA# 15-1103.05  
Miami Dade Product Control  
By *[Signature]*



Fiberesin "Stonewood" Composite Wall Panel Systems  
ENGINEERING REPORT

*[Signature]*  
JAMES L. BUCKNER, P.E.  
FLORIDA P.E. #31242  
8/9/16

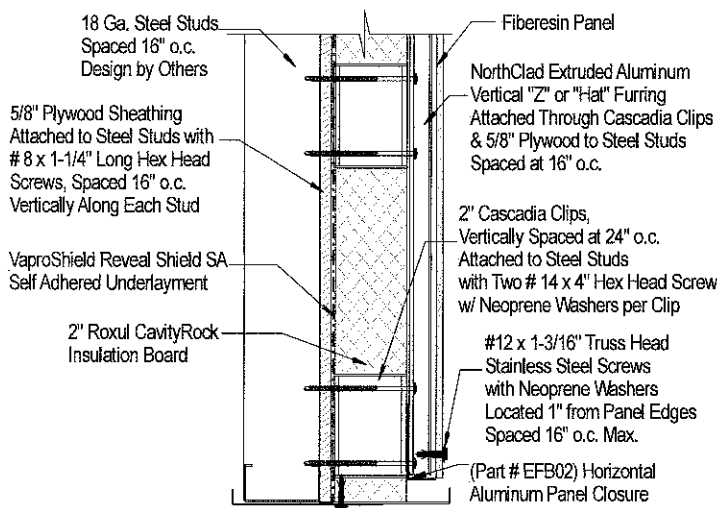
**CBUCK Engineering**  
Specialty Structural Engineering  
CBUCK, Inc. COA #8064  
www.cbuckinc.net  
(561) 491-9927  
2637 E. Atlantic Blvd, # 34026  
Pompano Beach, FL 33062

MANUFACTURER:  
Fiberesin Industries, Inc.  
37031 E Wisconsin Ave.  
P.O. Box 88  
Oconomowoc, WI 53066

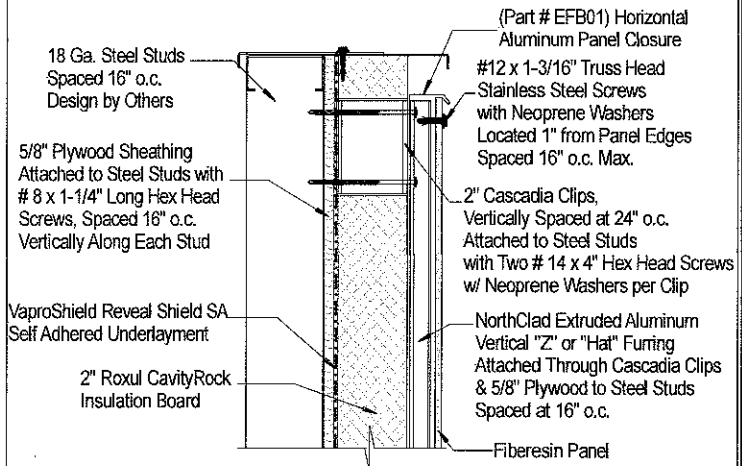
|            |                     |
|------------|---------------------|
| DATE:      | 5 / 4 / 16          |
| PAGE #:    | 10 OF 11            |
| REPORT #:  | 15-172-FStW-Wall-ER |
| PROJECT #: | 15-172              |
| DRAWN BY:  | YD                  |
| REV 2:     | 8 / 9 / 16          |

FIBERESIN INDUSTRIES, INC.

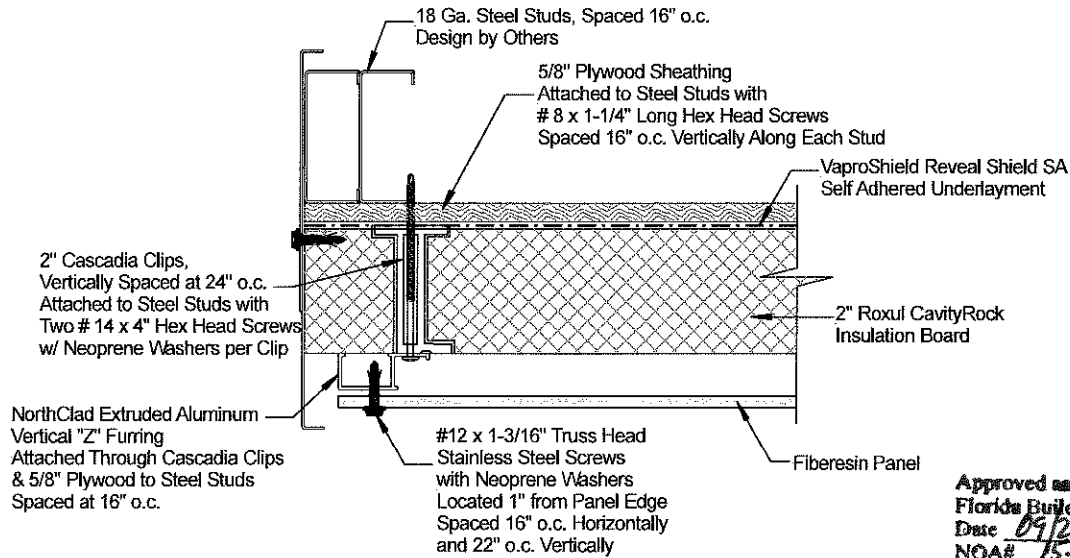
**"Stonewood Exterior Architectural Panels"**  
**MANUFACTURER'S TYPICAL INSTALLATION TRIM DETAILS**



Typical Window Head Detail  
Section View



Typical Window Sill Detail  
Section View



Typical Window Jamb Detail  
Section View

Approved as complying with the  
 Florida Building Code  
 Date 09/22/2016  
 NOA# 15-1103.05  
 Miami Dade Product Control  
 By [Signature]

NOT TO SCALE

Fiberesin "Stonewood" Composite Wall Panel Systems  
 ENGINEERING REPORT

[Signature]  
 JAMES L. BUCKNER, P.E.  
 FLORIDA P.E. #31242  
 8/9/16

**CBUCK Engineering**  
 Specialty Structural Engineering  
 CBUCK, Inc. COA #8064  
 www.cbuckinc.net  
 (561) 491-9927  
 2637 E. Atlantic Blvd, # 34026  
 Pompano Beach, FL 33062

MANUFACTURER:  
 Fiberesin Industries, Inc.  
 37031 E Wisconsin Ave.  
 P.O. Box 88  
 Oconomowoc, WI 53066

|            |                     |
|------------|---------------------|
| DATE:      | 5 / 4 / 16          |
| PAGE #:    | 11 OF 11            |
| REPORT #:  | 15-172-FStW-Wall-ER |
| PROJECT #: | 15-172              |
| DRAWN BY:  | YD                  |
| REV 2:     | 8 / 9 / 16          |