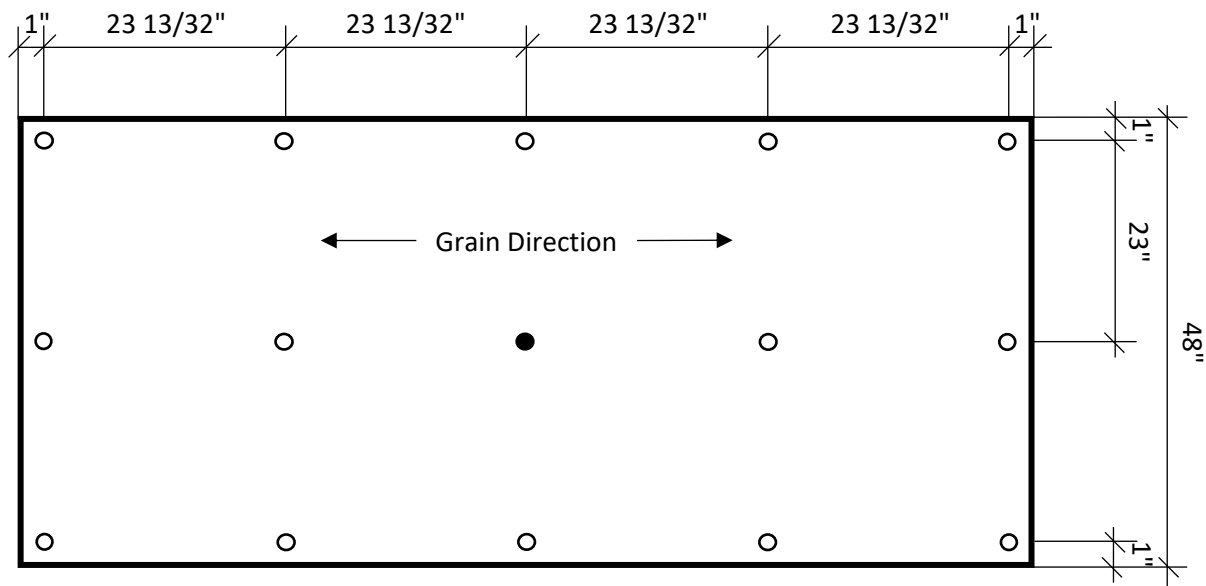


# Stack Bond

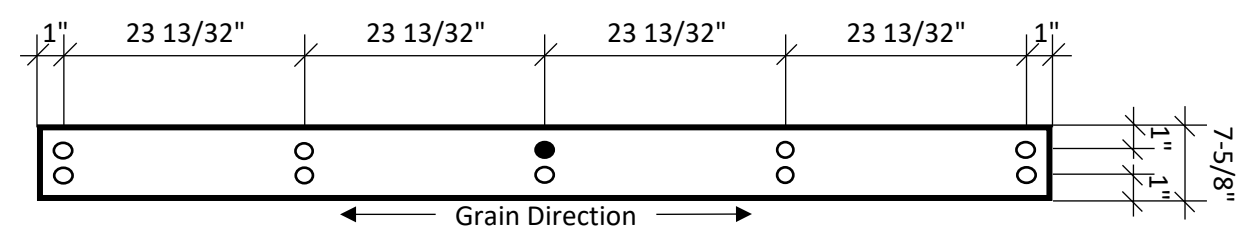
Example Stack Bond		

Project: \_\_\_\_\_

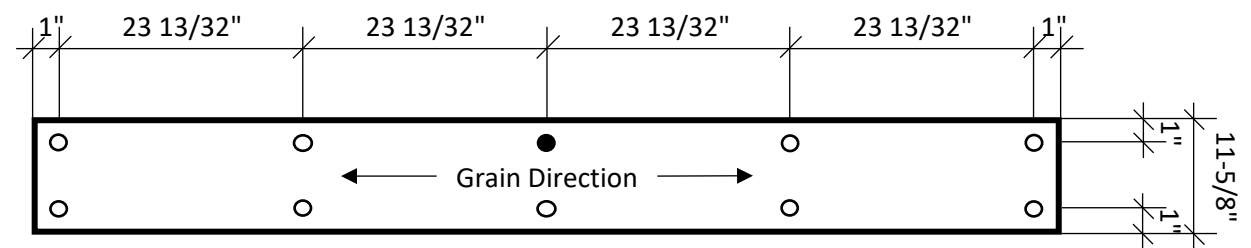
## PANEL 1 - 48" x 95-5/8"



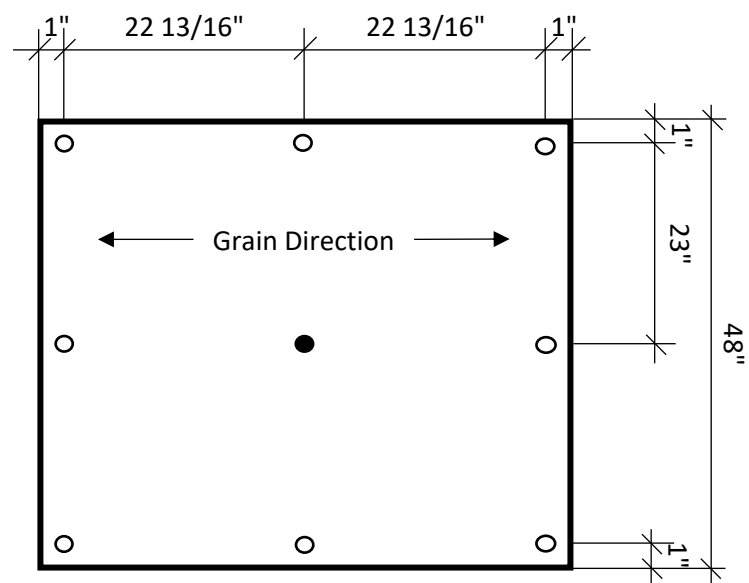
## PANEL 3 - 7-5/8" x 95-5/8"



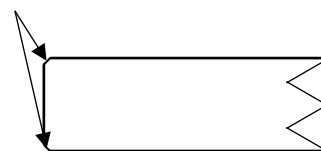
## PANEL 4 - 11-5/8" x 95-5/8"



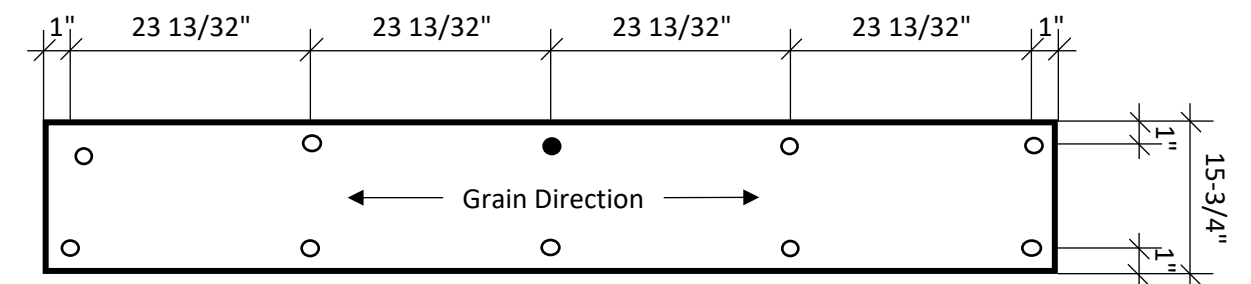
## PANEL 2 - 48" x 47-5/8"



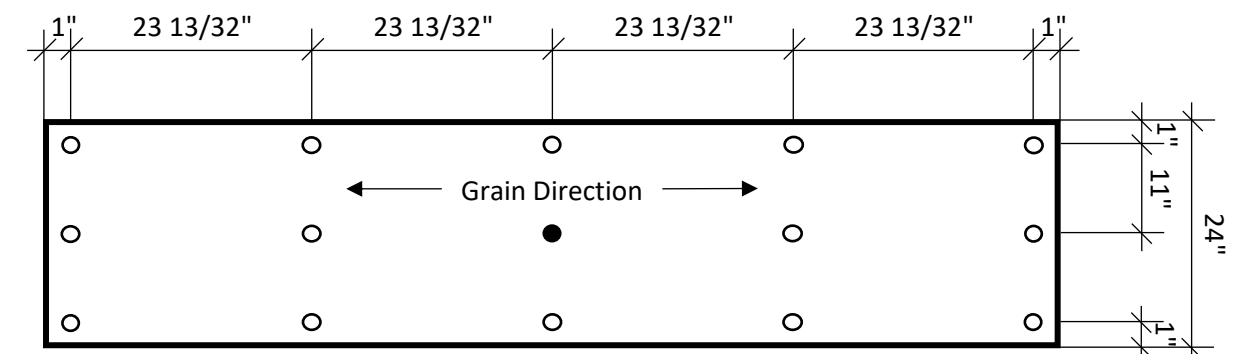
All Exterior Panels Arrive with a .015" Chamfer Edge



## PANEL 5 - 15-3/4" x 95-5/8"



## PANEL 6 - 24" x 95-5/8"



DRILLING KEY FOR TORX FASTENERS:

- = FIXED POINT 7/32" HOLE
- = FLOATING POINT 5/16" HOLE

Panel: \_\_\_\_\_

Customer Signature: \_\_\_\_\_

No Alterations are Accepted