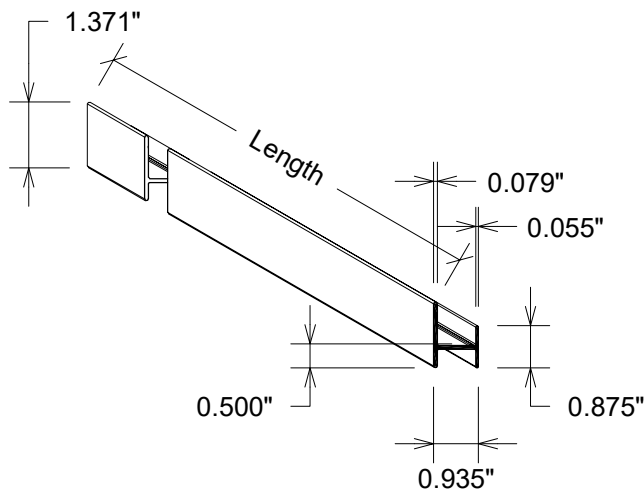
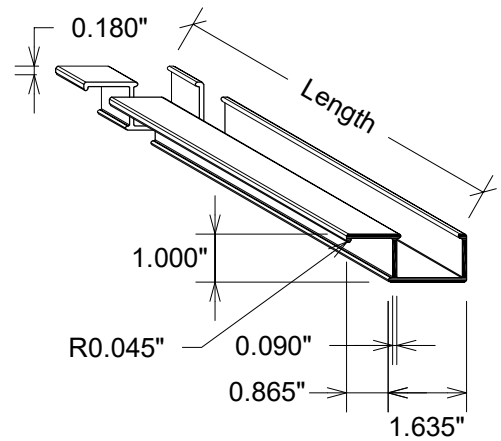


EFCB - Vertical Panel Outside Corner Closure  
Structural Grade Alloy Extrusion - Factory Finished Black

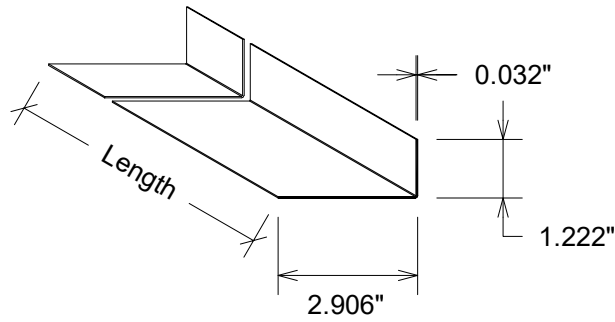


CRHB - Horizontal Intermediate Panel Attachment  
Structural Grade Alloy Extrusion - Factory Finished Black

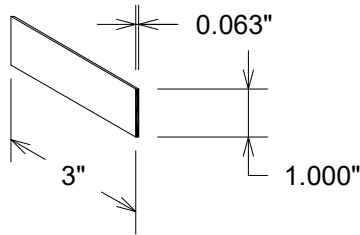


EFEB - Vertical Panel Termination Edge Closure  
Structural Grade Alloy Extrusion - Factory Finished Black

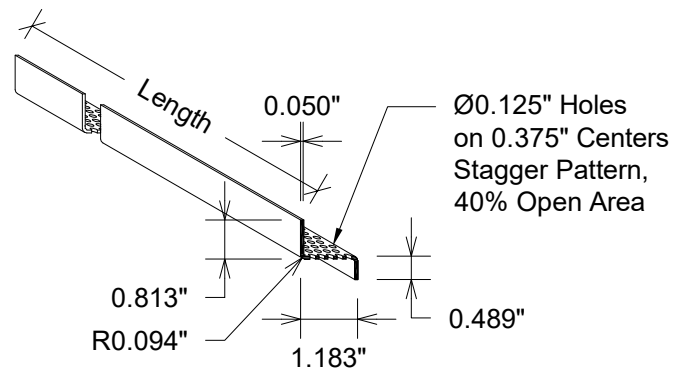
S01 Typical Extrusion Profiles  
DET



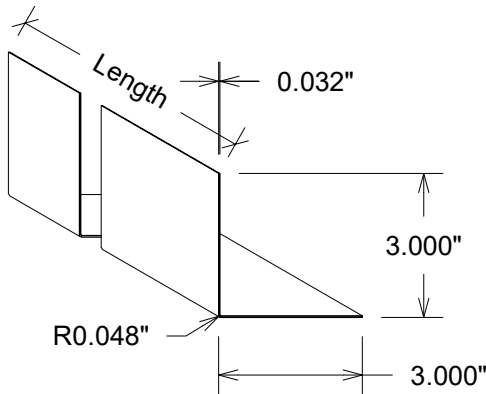
CRB43 - Soffit to Fascia Transition Closure  
Formed Sheet Metal, Factory Finished Black



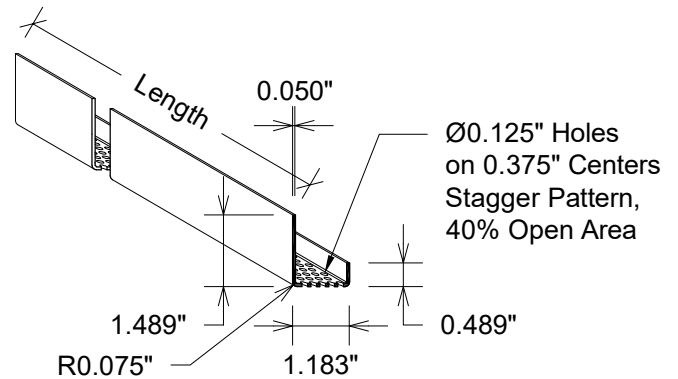
CRB42 - Horizontal Closure at Corners  
Sheet Metal, Factory Finished Black



CRB41 - Horizontal Top Termination Panel Attachment  
Formed Sheet Metal, Factory Finished Black



OPTIONAL: EFB04 - Vertical Inside Corner Closure  
Formed Sheet Metal, Factory Finished Black



CRB40 - Horizontal Bottom Termination Panel Attachment  
Formed Sheet Metal, Factory Finished Black

S02 Typical Formed Profiles  
DET