

Notice

Stonewood provides the testing and code compliance data in this document for information purposes only. Stonewood does not guarantee compliance with specific design requirements or local building codes. The customer is responsible for verifying the design, engineering, fire, and technical performance of the designed system.

The requirements in the below details relate to the US test method for evaluation of fire propagation characteristics of exterior wall assemblies containing combustible components, NFPA 285, and the use of Stonewood and non-Stonewood components. Additional requirements for compliance with the full test standard related to the base wall construction will apply.

Based on laboratory testing and third-party analysis, Stonewood systems designated with "NFPA 285 Detail Set" were deemed, as of the date of publication of this detail set, to meet the performance of NFPA 285 using specific Stonewood and non-Stonewood components. By providing this information, Stonewood is not making, and specifically disclaims, all warranties and guarantees, regarding such issues.

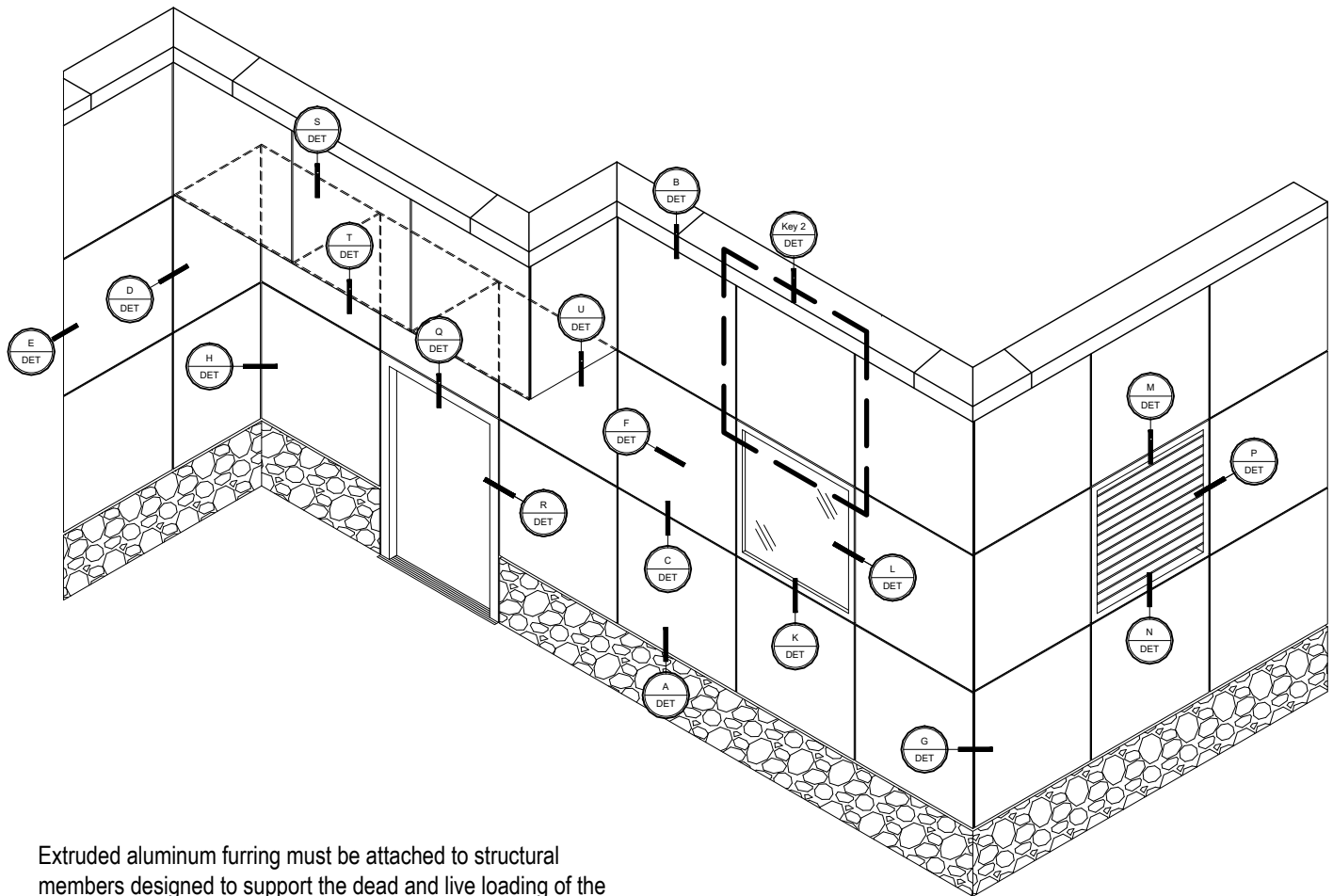
Accordingly, it is the customer's responsibility to take into account the specific field conditions and components which apply. For example, the type of weather barrier and insulation material used in connection with Stonewood products may affect the performance specified in the NFPA 285 standards. Stonewood makes no representations as to suitability for use of any weather barrier or insulation material, including the effect of such material on fire-rating, other than what is specified in the test or evaluation reports under the conditions set forth in those reports.

All installations should be evaluated by a code consultant or building official for compliance with all applicable codes. Stonewood is not responsible for any modification to the components, geometry, or specifications set forth in the test report or for any material or component other than as expressly set forth in the test report.

It is the responsibility of the customer to evaluate whether any modification to the Stonewood or non-Stonewood components would negatively impact performance. Stonewood shall have no obligation or liability to any person or entity for any injury, loss, or damage arising out of or related to any such modification.

00
DET

STONEWOOD EXPOSED FASTENING NFPA 285 DETAIL SET



Extruded aluminum furring must be attached to structural members designed to support the dead and live loading of the entire wall system. The following details do not specify, suggest, or imply the attachment between the structure and aluminum furring. The customer is responsible for the structural engineering of attachment to structure.



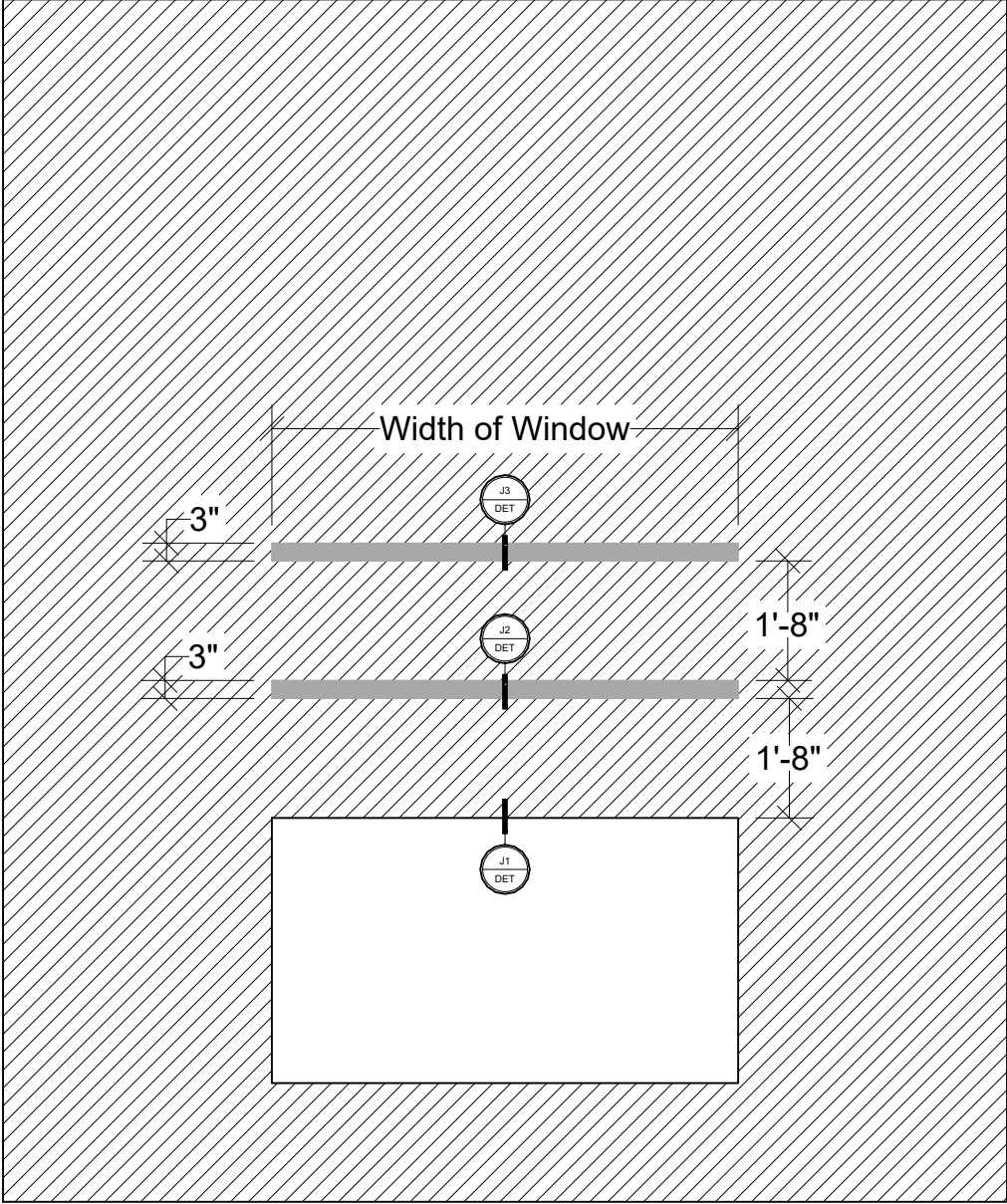
Elevation

STONEWOOD EXPOSED FASTENING
NFPA 285 DETAIL SET

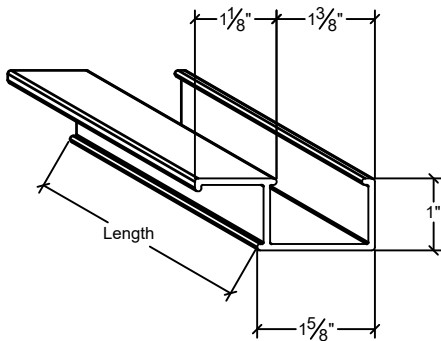


Key 1
10-20-2021

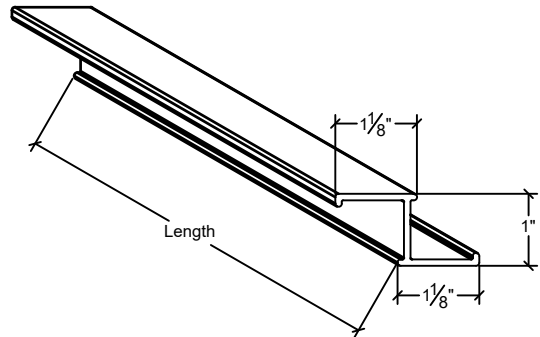
NFPA 285 Window Conditions



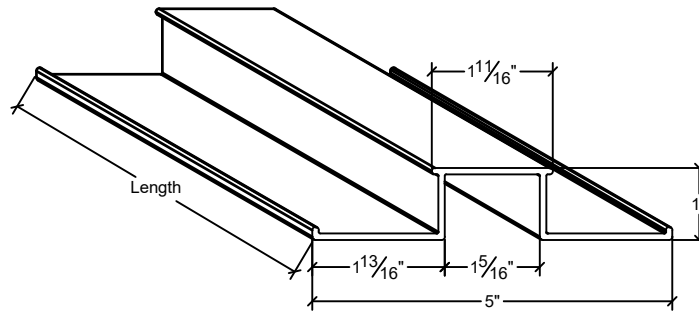
Key 2 Elevation - TENMAT Locations Above Window Head
DET



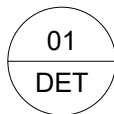
XEB - Vertical Termination Furring
Structural Grade Aluminum Alloy Extrusion
Factory Finished Black



XZB - Vertical Spanning Furring
Structural Grade Aluminum Alloy Extrusion
Factory Finished Black



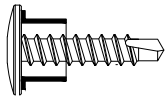
XHB - Vertical Joining Furring
Structural Grade Aluminum Alloy Extrusion
Factory Finished Black



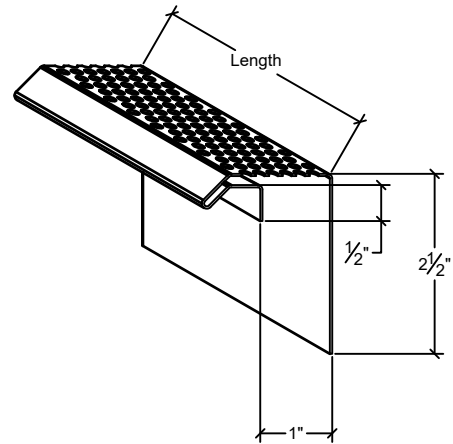
Exposed Fastening System Parts Catalog



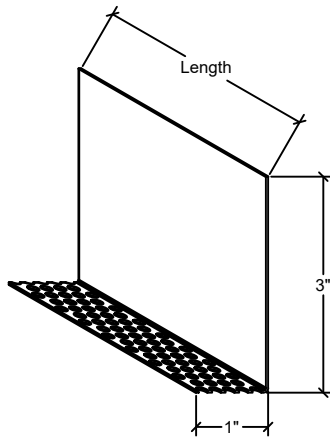
XBB:
Grommet Washer



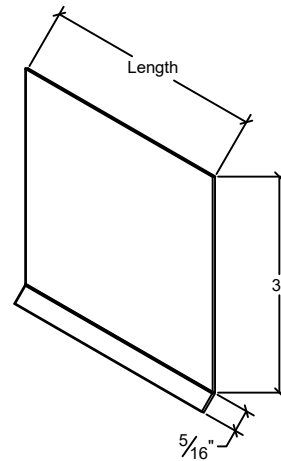
Visual of stainless
steel fastener with
XBB



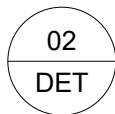
XB01: Optional
Horizontal Top Closure Flashing
Used to Terminate System at Header Conditions
Formed Sheet Metal, Factory Finished Black



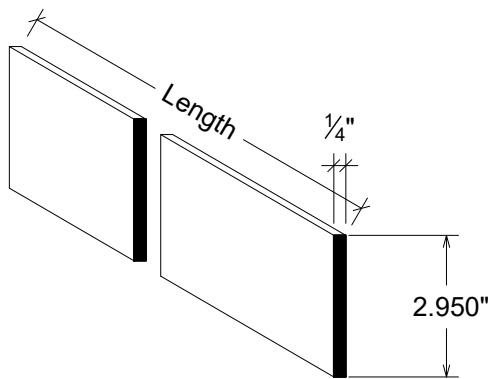
XB02: Optional
Horizontal Bottom Closure Flashing
Used to Terminate System at Sill Conditions
Formed Sheet Metal, Factory Finished Black



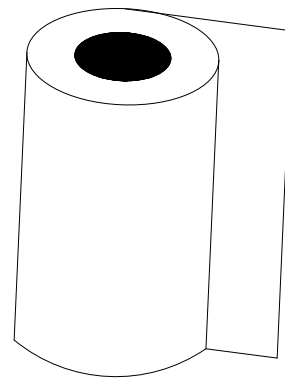
XB03: Optional
Horizontal Joint Drip Flashing
Used to Close Horizontal System Joints
Formed Sheet Metal, Factory Finished Black



Exposed Fastening System Parts Catalog



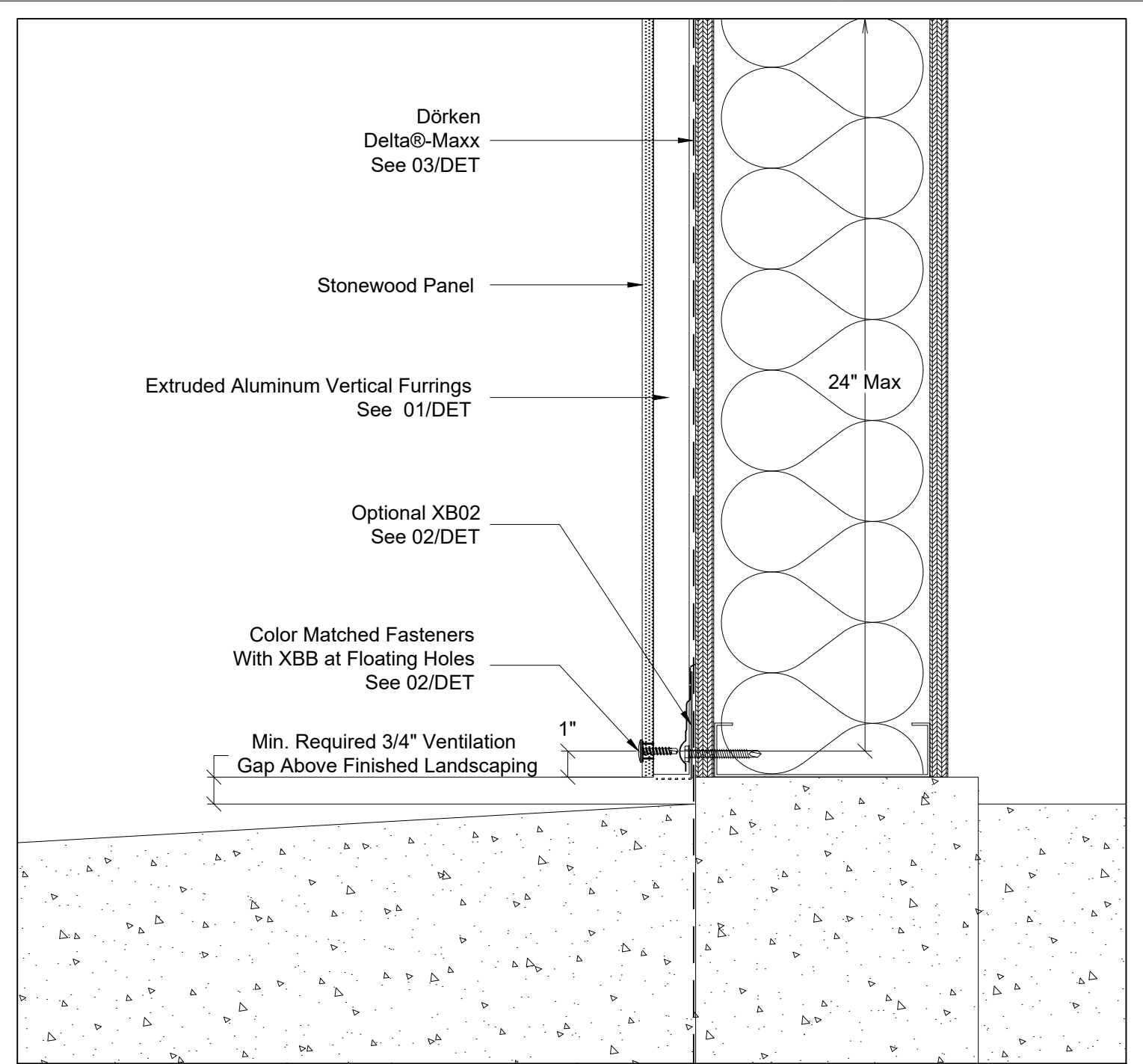
TENMAT FF102/50 - Ventilated Fire Barrier, 39" Length
 Two Rows Per Key 2
 Required Entirely Across all Window Openings.
 Install Per Manufacturer Guidelines.



Dörken Delta®-Maxx
 Highly tear-resistant polyester non-woven fabric
 with a vapour permeable polyurethane coating.
 Install Per Manufacturer Guidelines.



Exposed Fastening System Parts Catalog



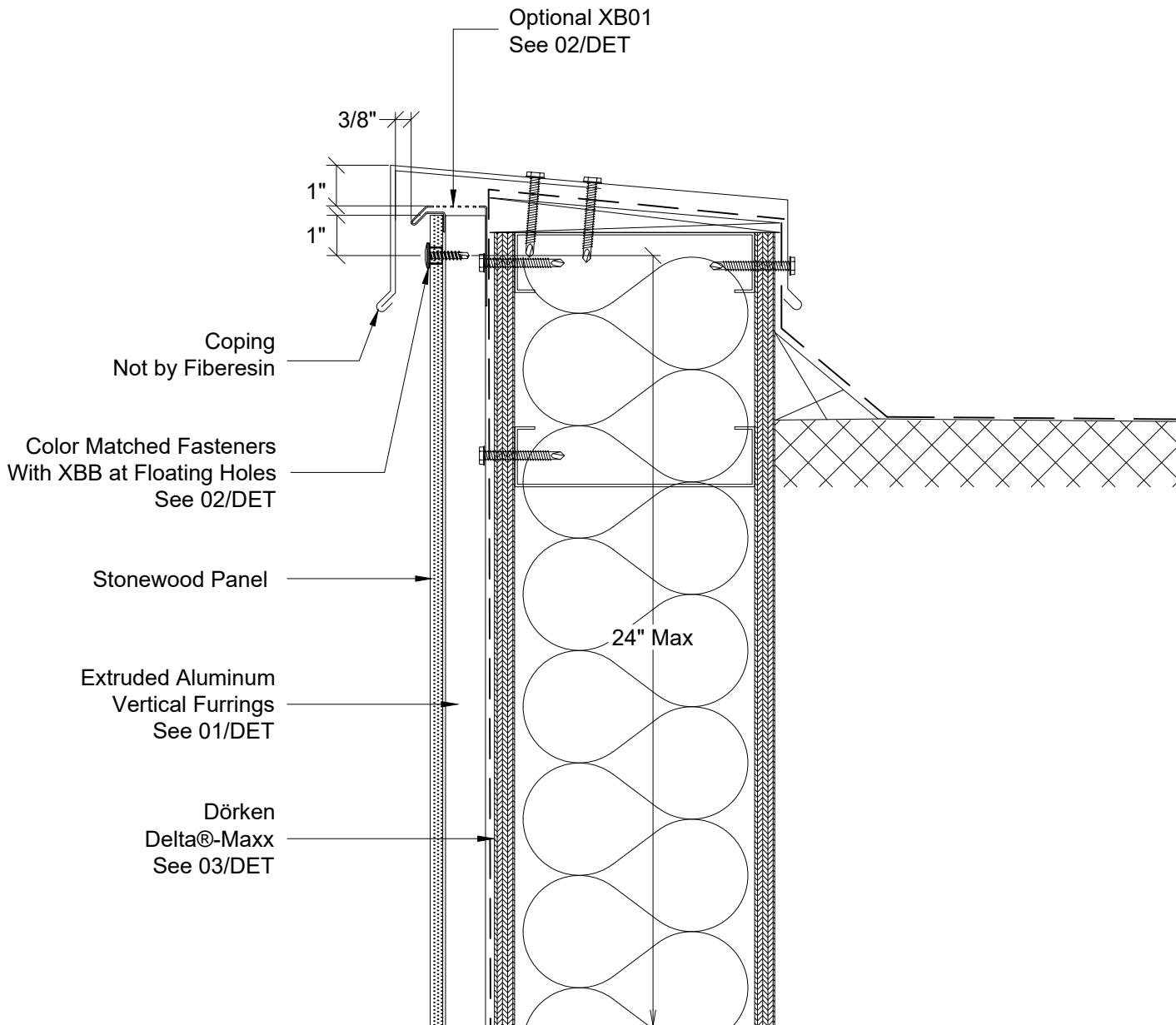
A
DET

Section - Panel at Bottom Termination

STONEWOOD EXPOSED FASTENING
NFPA 285 DETAIL SET



A
10-20-2021



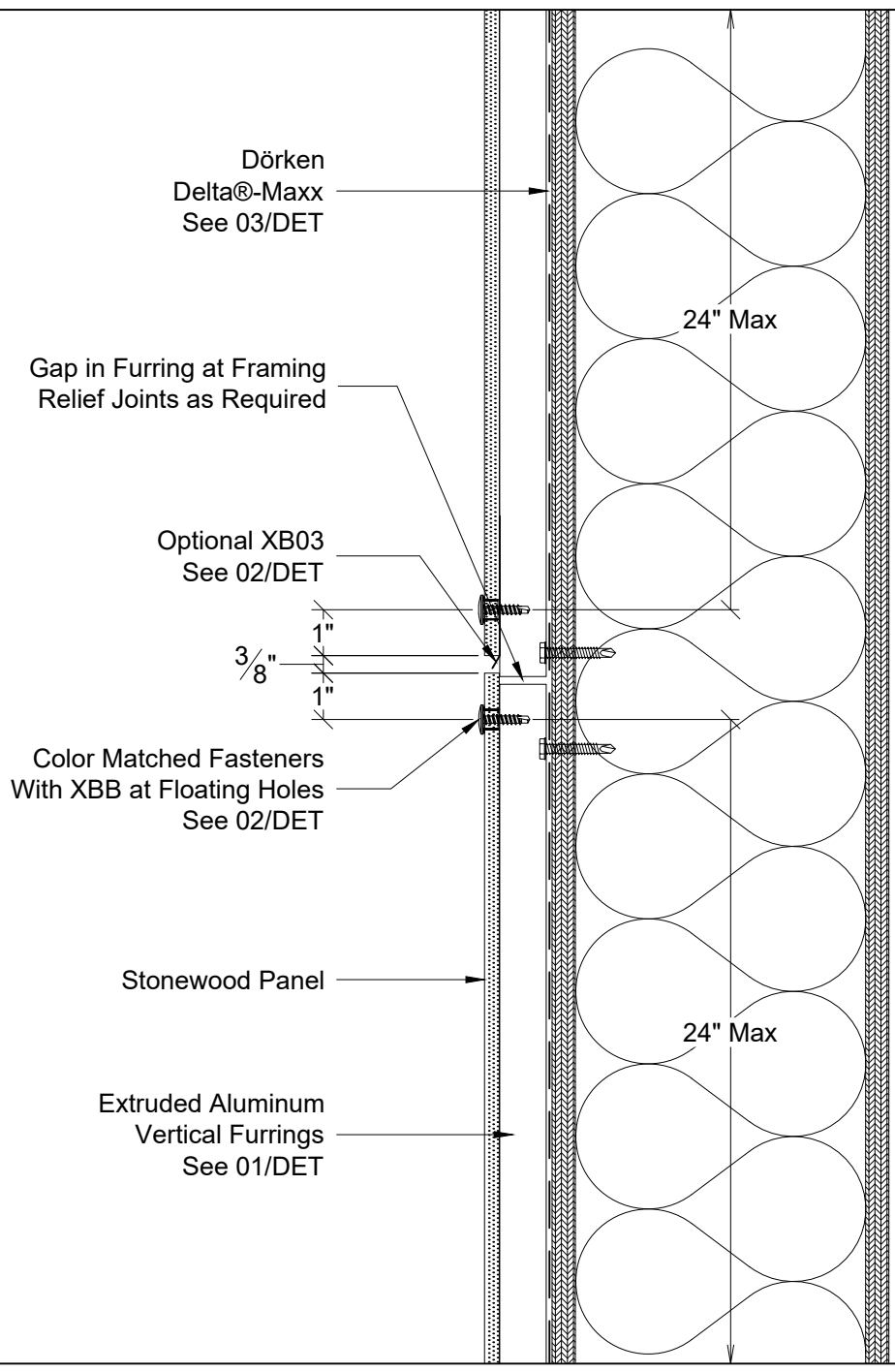
B
DET

 Section - Panel at Top Termination

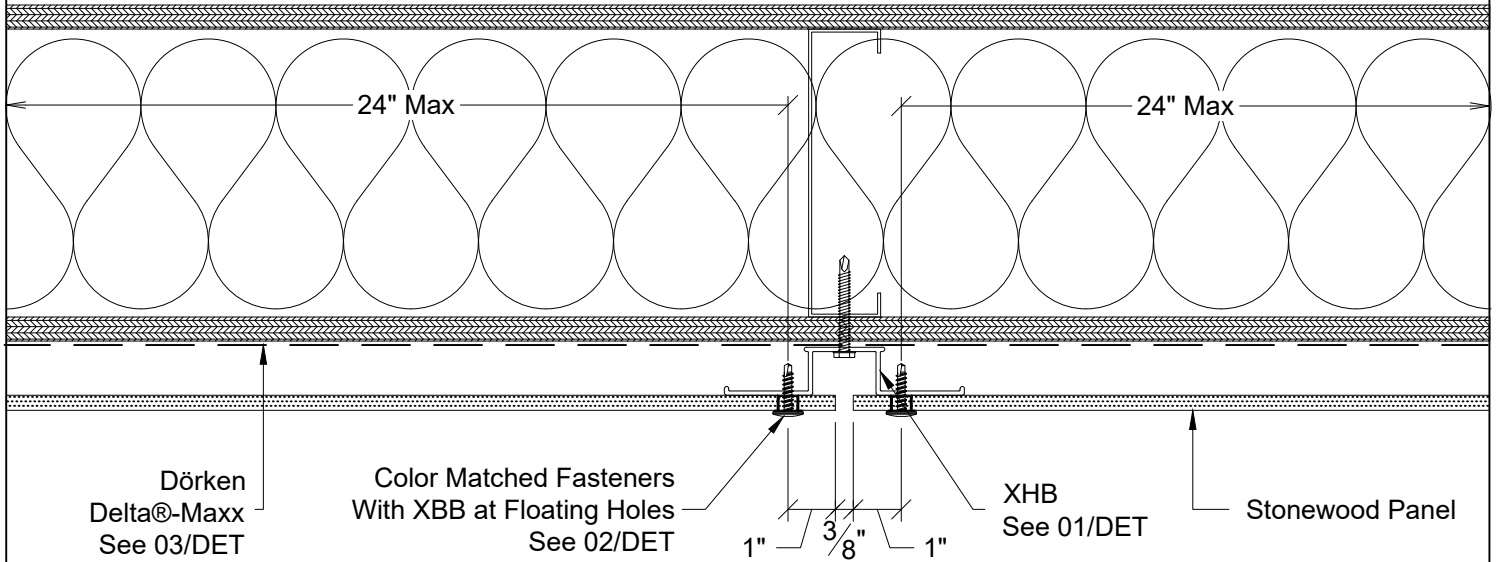
**STONEWOOD EXPOSED FASTENING
NFPA 285 DETAIL SET**



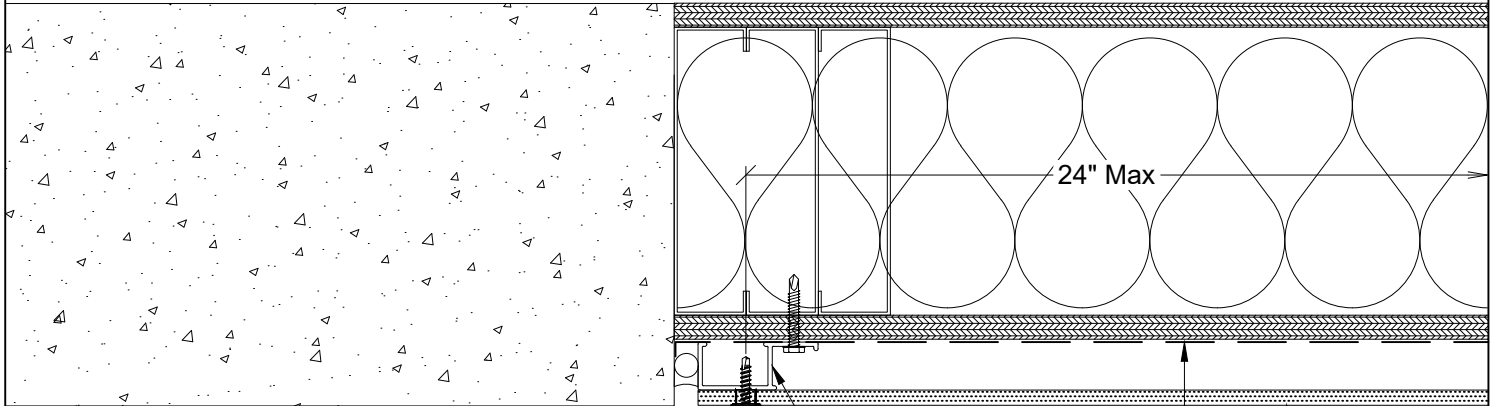
B
 10-20-2021



C Section - Panel at Horizontal Joint
DET



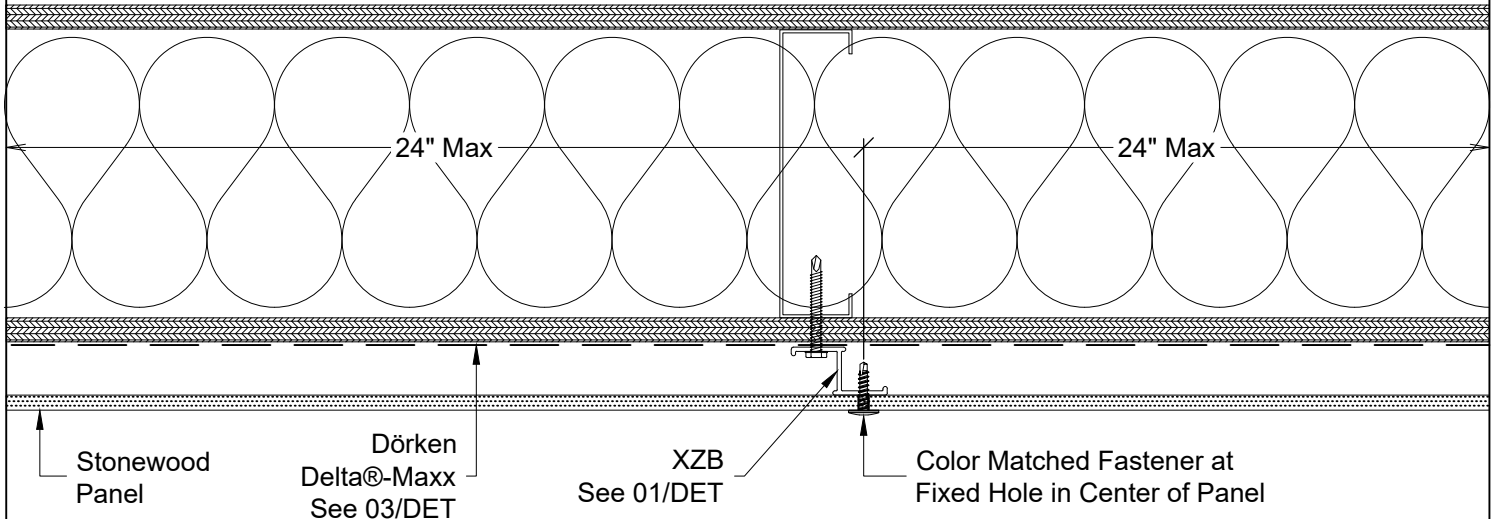
D Plan - Panel at Vertical Joint
DET



$\frac{1}{2}$ " \times 1"
 XEB
 See 01/DET
 Color Matched
 Fasteners
 With XBB at
 Floating Holes
 See 02/DET
 24" Max
 Stonewood
 Panel
 Dörken
 Delta®-Maxx
 See 03/DET

E
 DET
 Plan - Panel at Forced Termination

STONEWOOD EXPOSED FASTENING
 NFPA 285 DETAIL SET



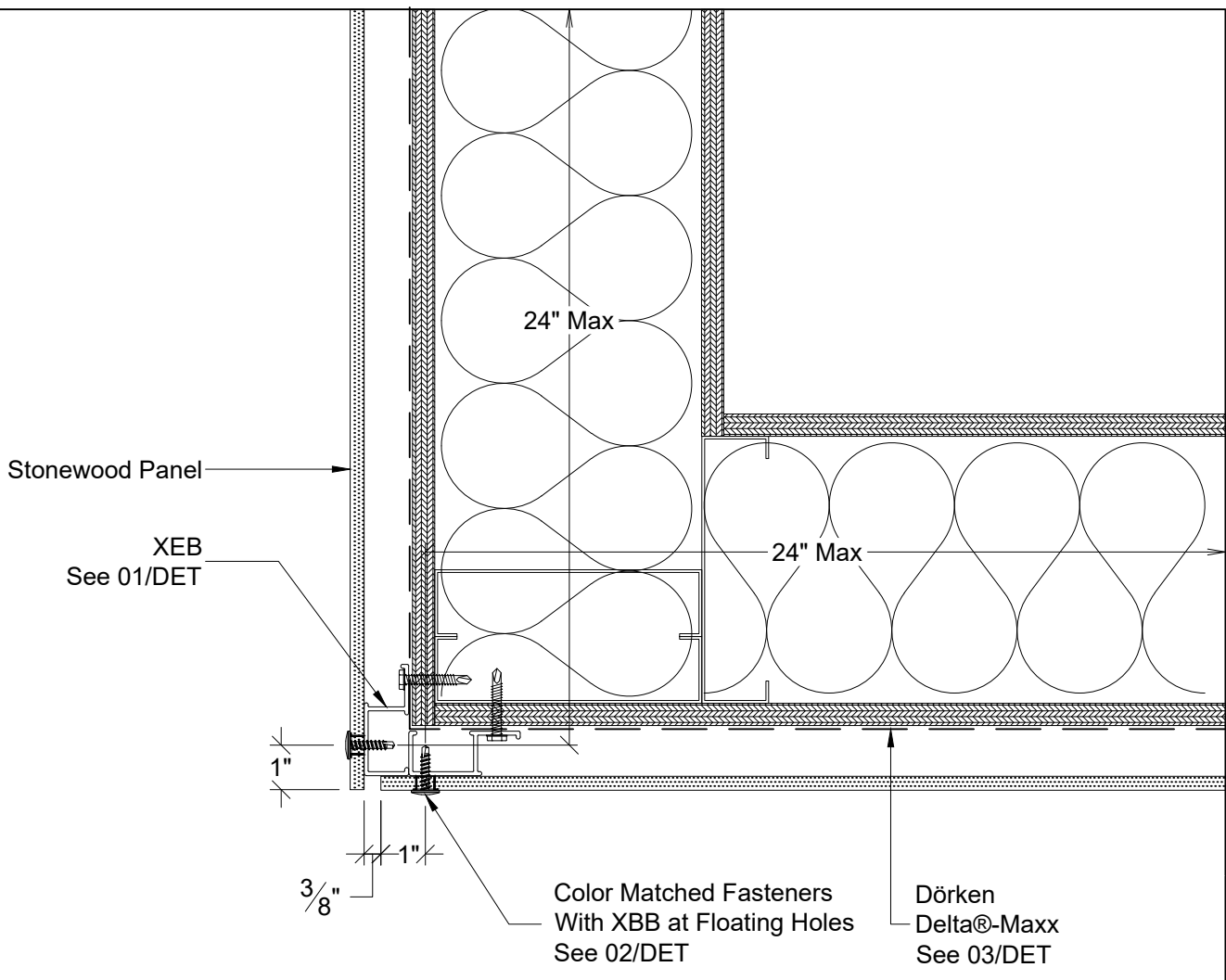
F
 DET

 Plan - Fixed Point at Center of Panel

STONEWOOD EXPOSED FASTENING
NFPA 285 DETAIL SET



F
 10-20-2021

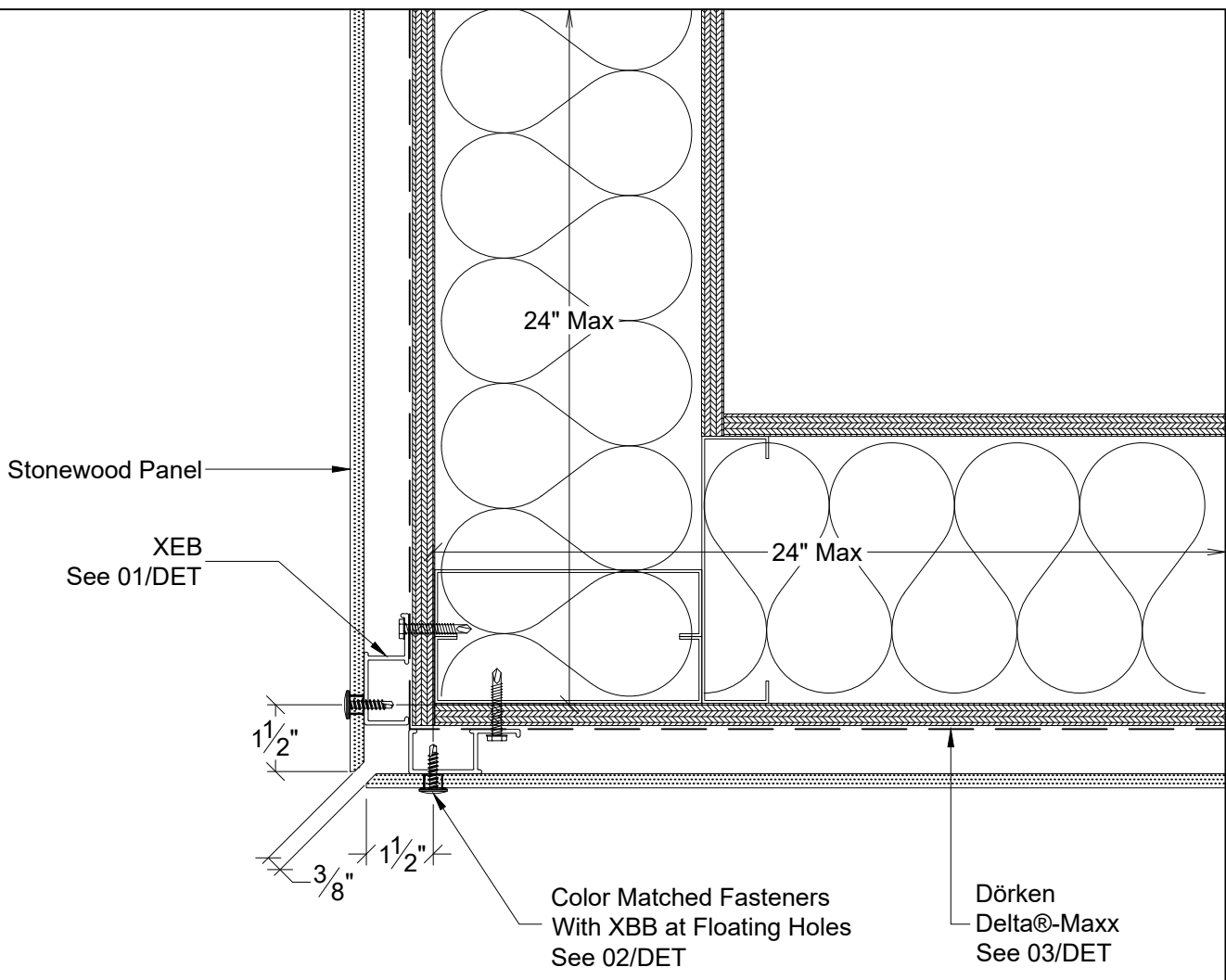


G1 Plan - Panel at Outside Corner: Primary
 DET

STONEWOOD EXPOSED FASTENING
 NFPA 285 DETAIL SET



G1
 10-20-2021

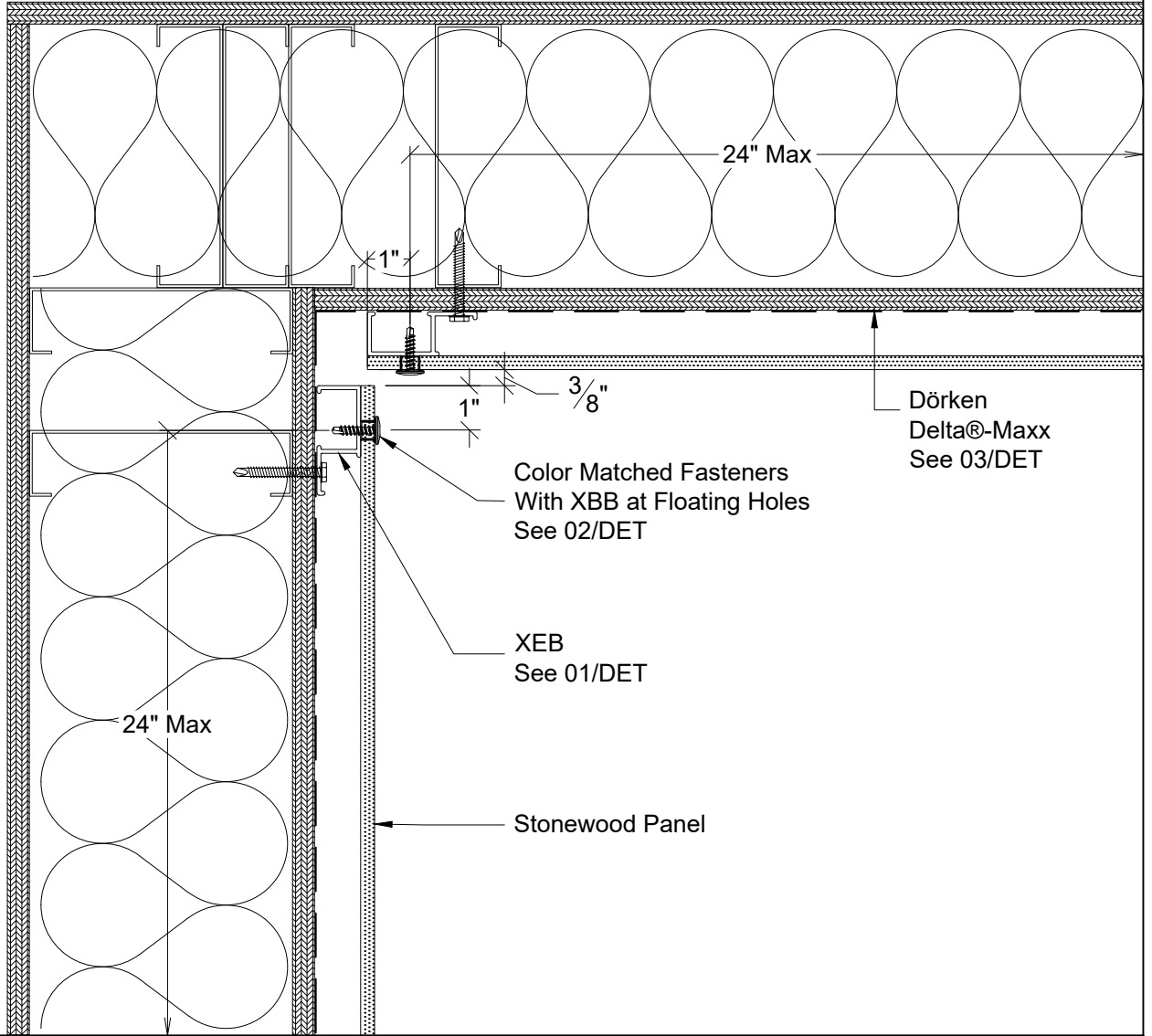


G2 Plan - Panel at Outside Corner: Alternative
 DET

STONEWOOD EXPOSED FASTENING
 NFPA 285 DETAIL SET



G2
 10-20-2021



H
 DET

 Plan - Panel at Inside Corner

STONEWOOD EXPOSED FASTENING
NFPA 285 DETAIL SET

Stonewood Panel

Dörken
Delta®-Maxx
See 03/DET

Extruded Aluminum
Vertical Furrings
See 01/DET

Color Matched Fasteners
With XBB at Floating Holes
See 02/DET

1"
3/8"

Optional XB02
See 02/DET

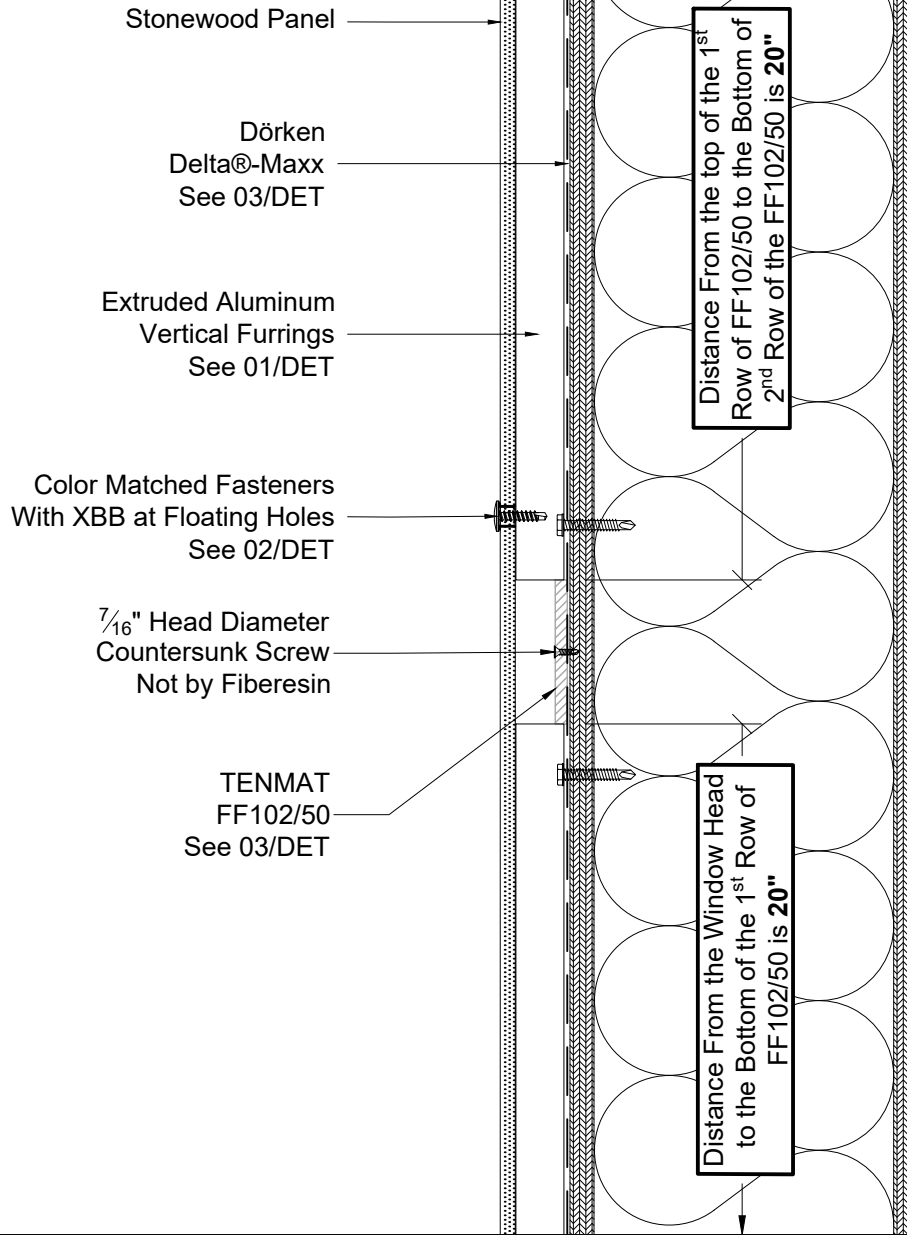
Min 20 GA Steel
Extending a Min of 1/2" Past
the Face of the Panel
Not by Fibersin

Distance From the Window Head
to the Bottom of the 1st Row of
FF102/50 is 20"

J1 Section - Panel at Window Header
DET

STONEWOOD EXPOSED FASTENING
NFPA 285 DETAIL SET

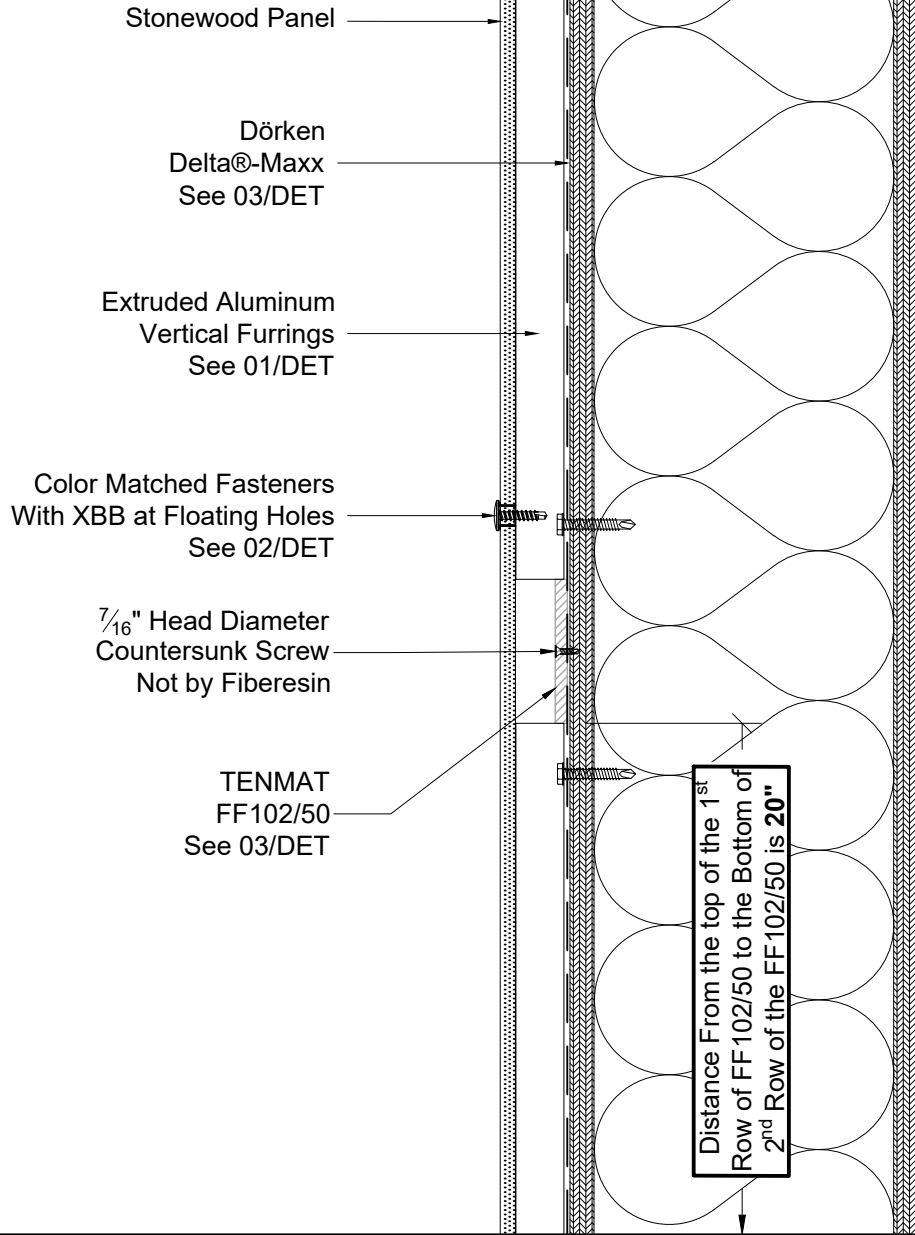
1st Row of FF102/50



J2
DET

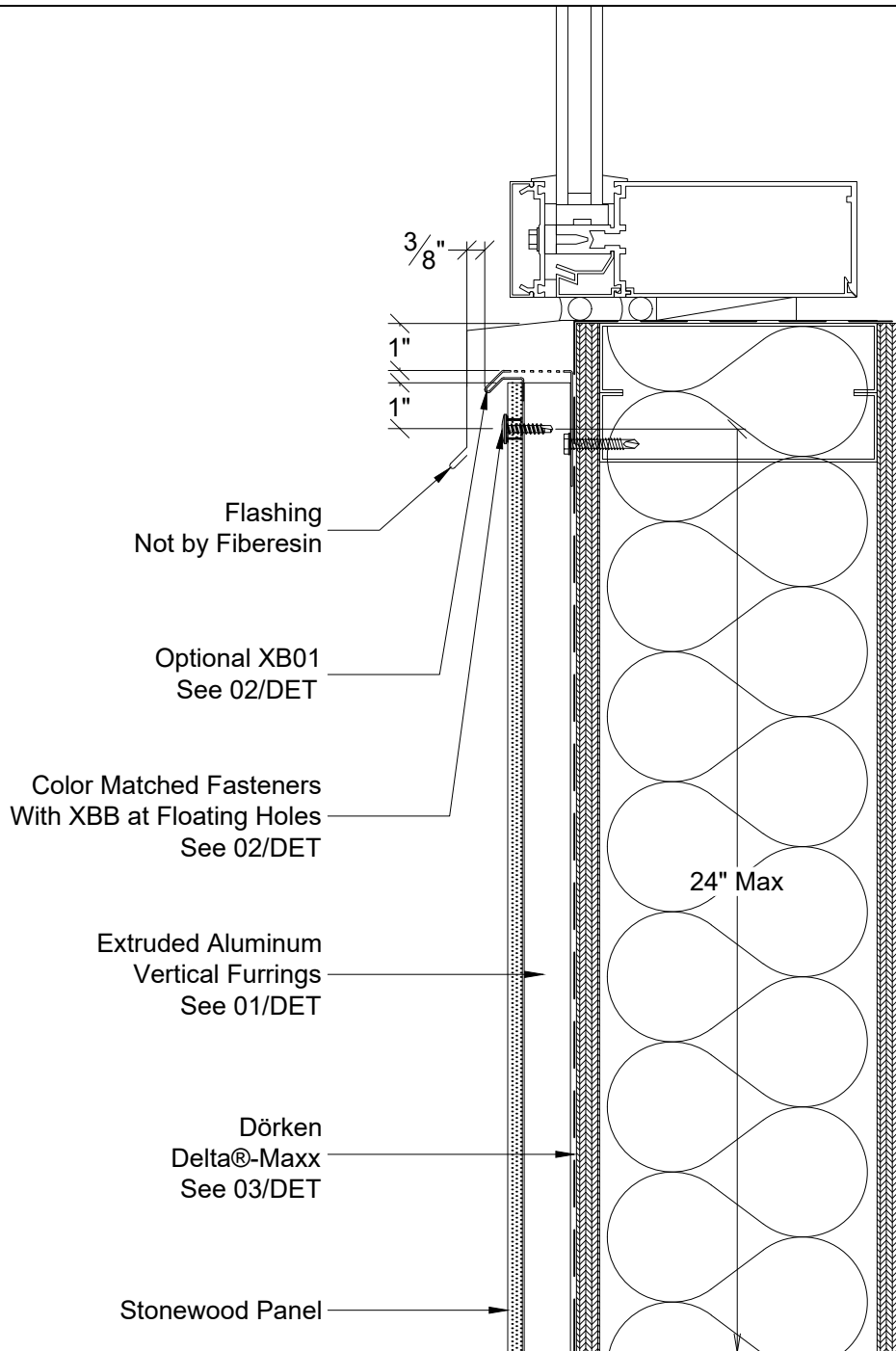
Section - Panel Above Window Opening, First Row of TENMAT FF102/50

2nd Row of
FF102/50



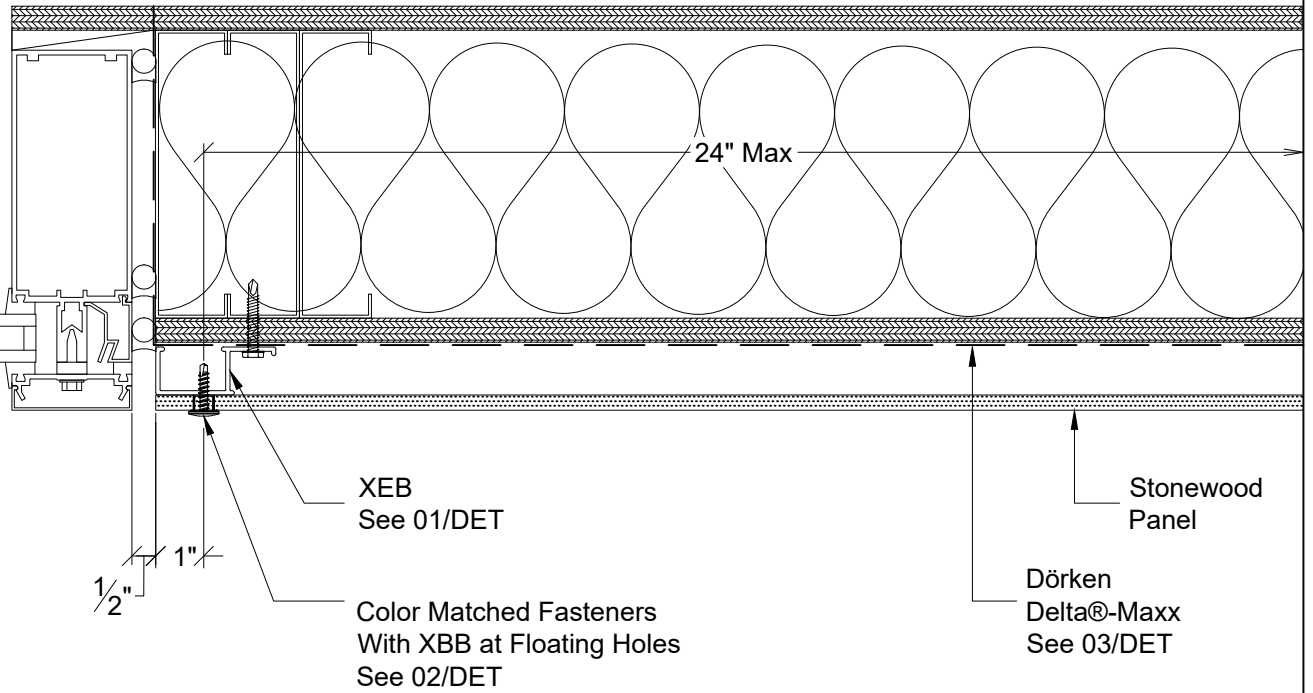
J3
DET

Section - Panel Above Window Opening, Second Row of TENMAT FF102/50



K Section - Panel at Window Sill
DET

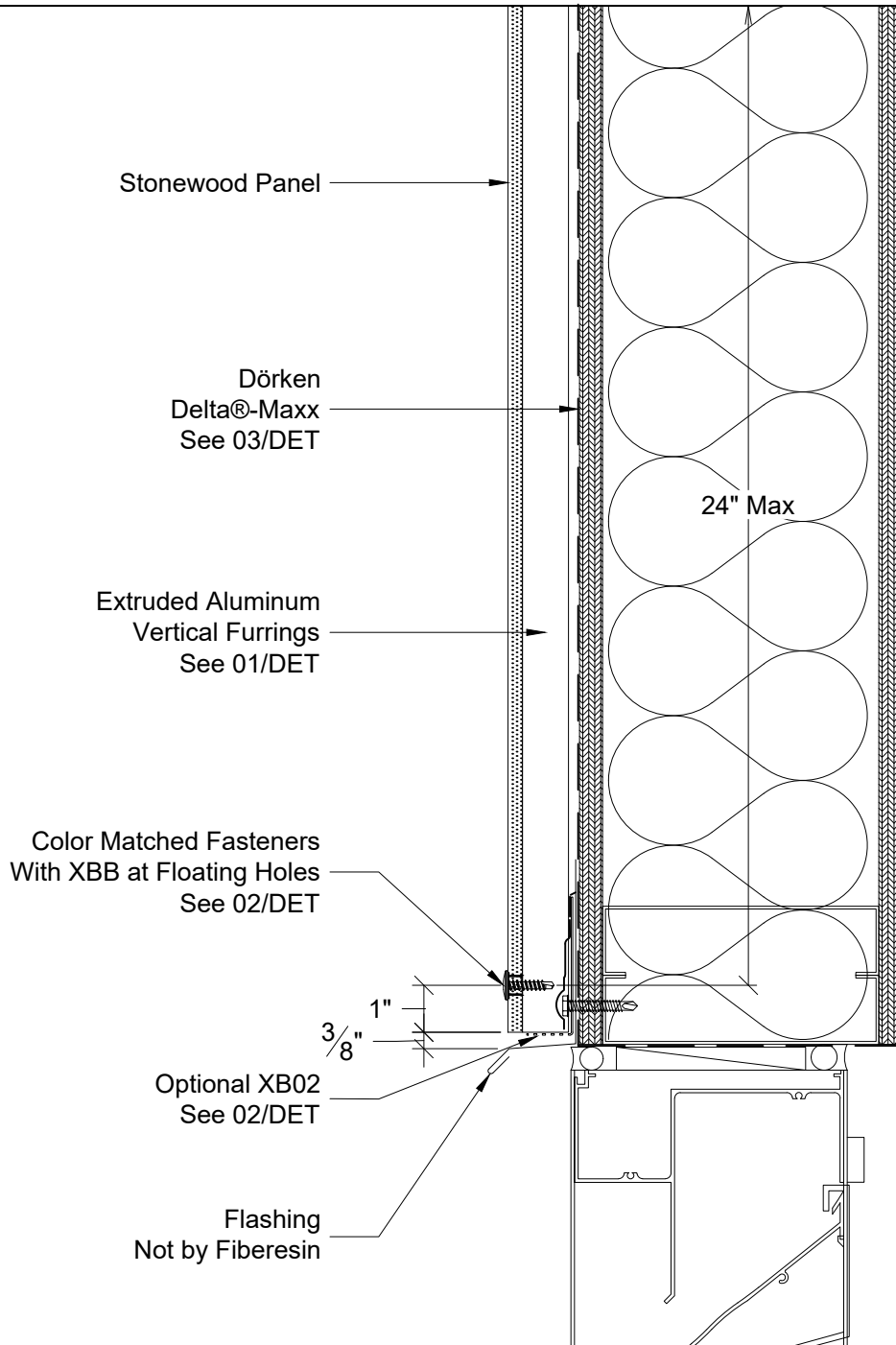
STONEWOOD EXPOSED FASTENING
NFPA 285 DETAIL SET



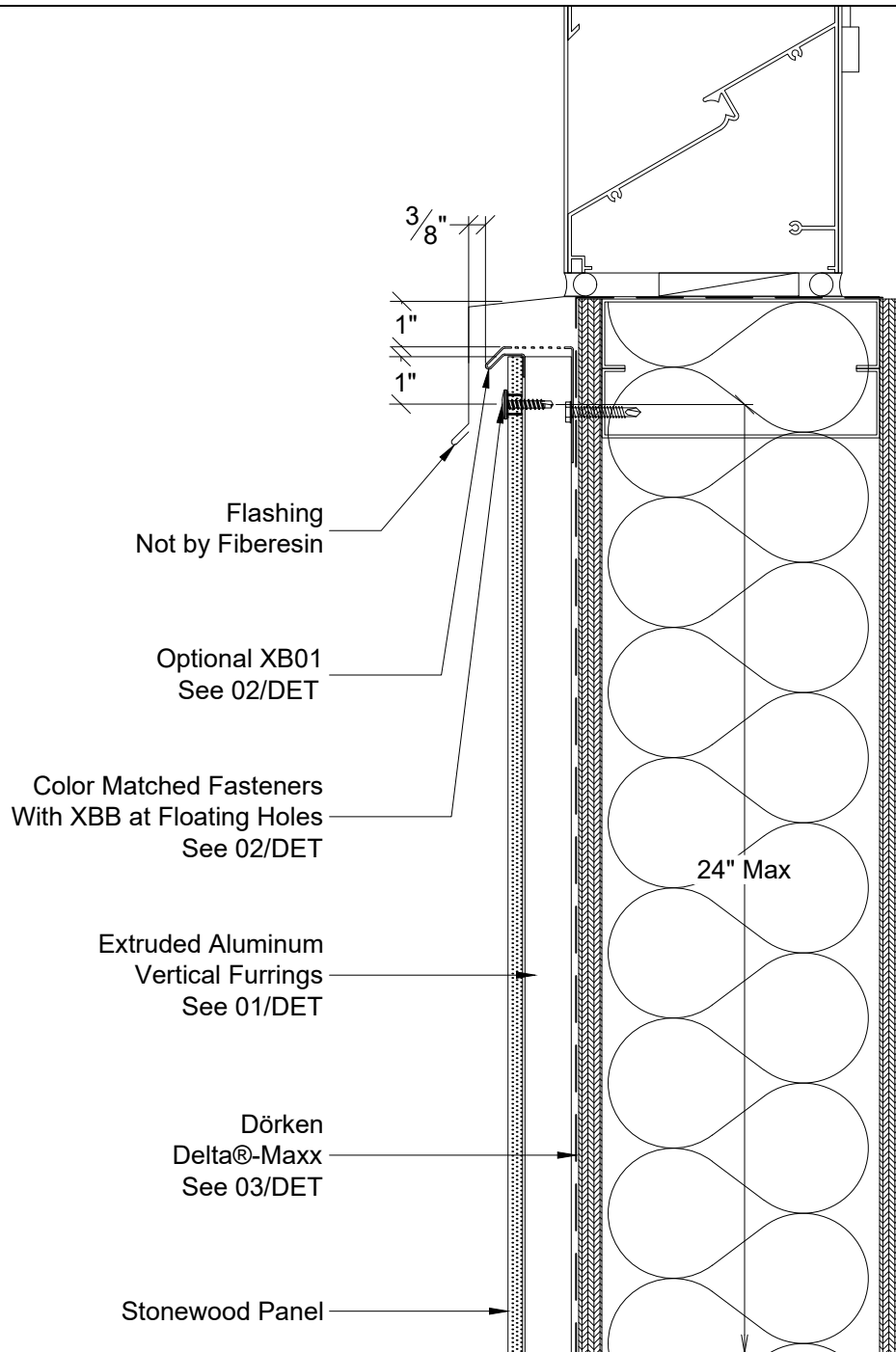
L
DET

Plan - Panel at Window Jamb

STONEWOOD EXPOSED FASTENING
NFPA 285 DETAIL SET

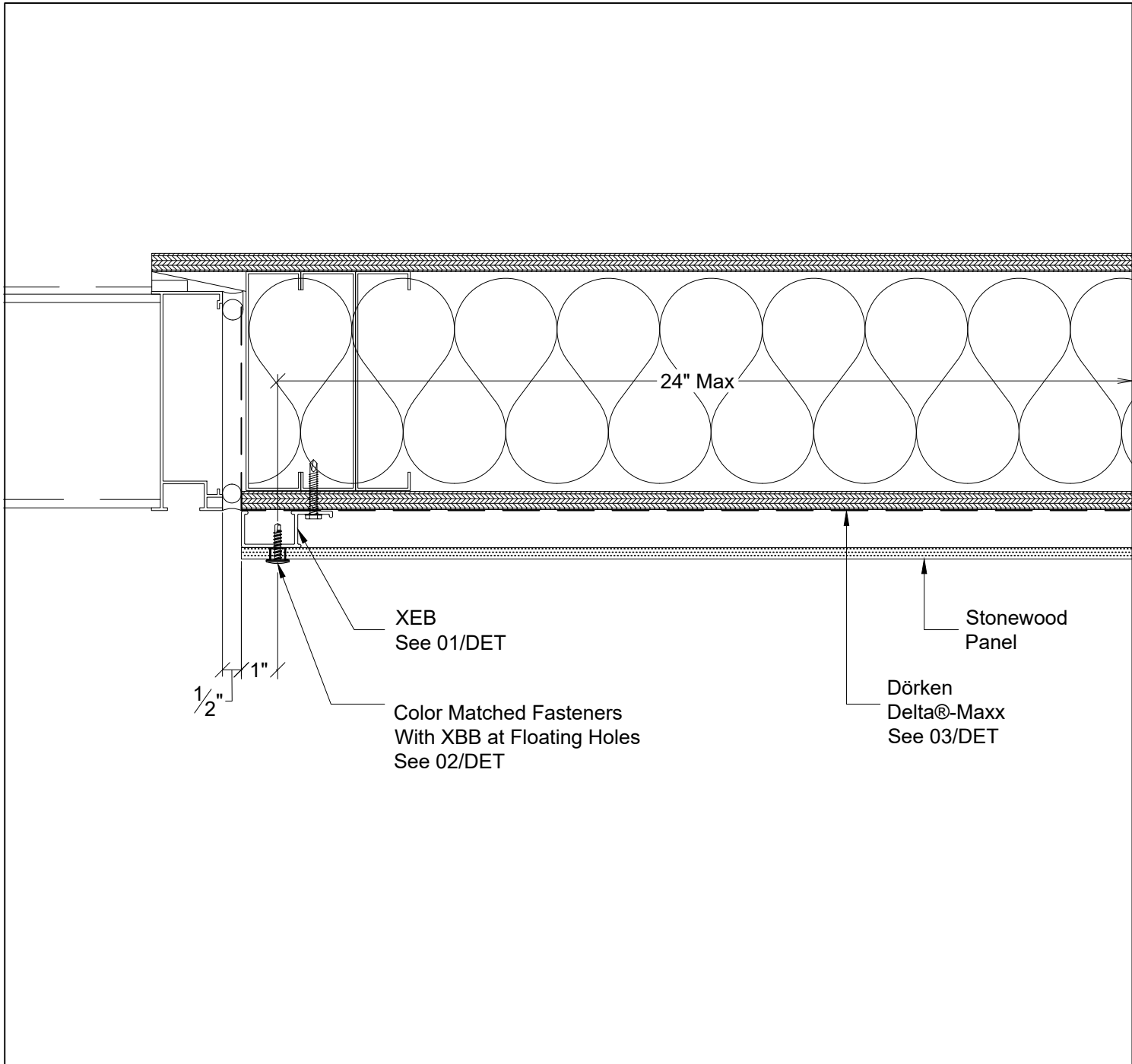


M Section - Panel at Louver Header
DET



N
 DET

 Section - Panel at Louver Sill



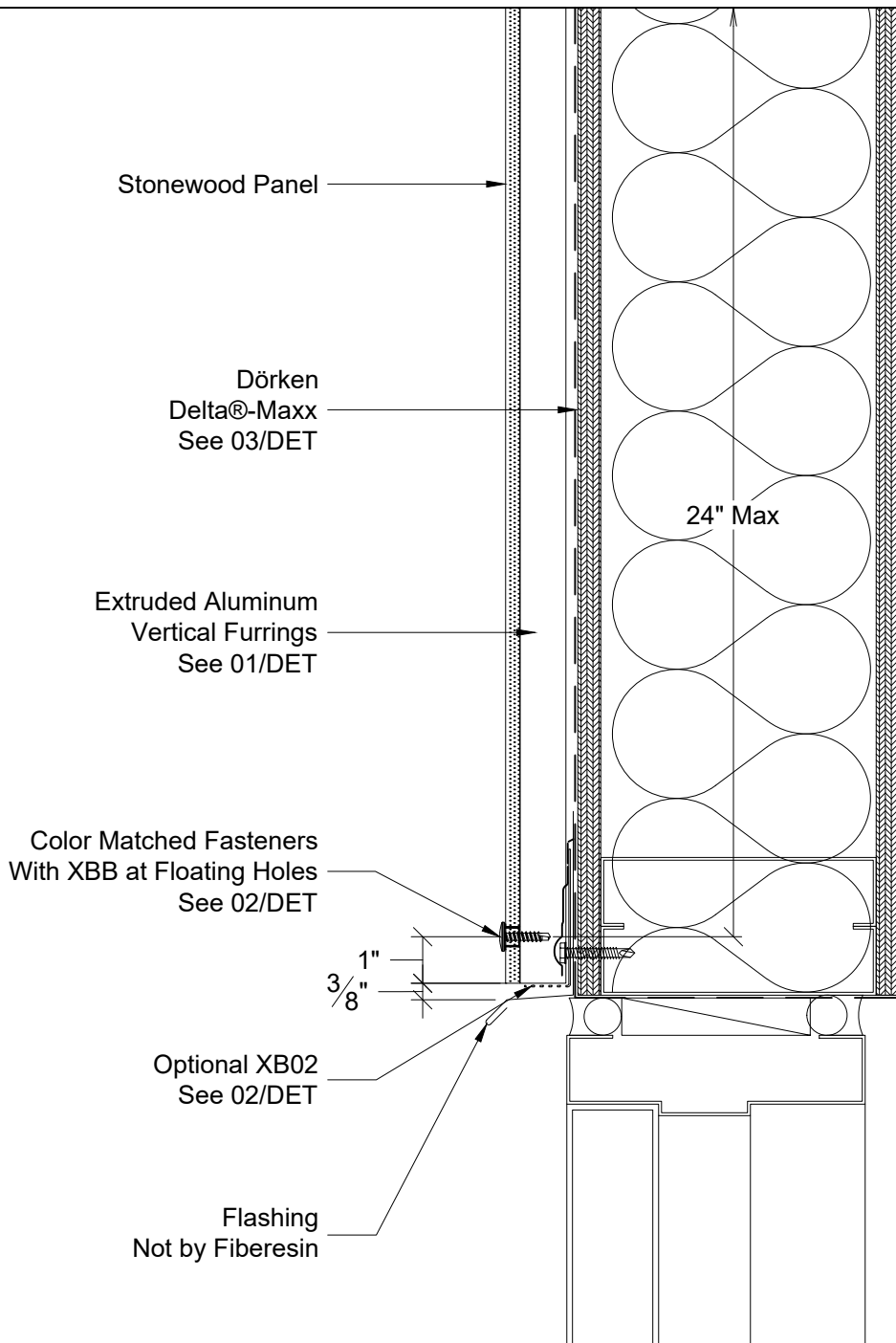
P
DET

Plan - Panel at Louver Jamb

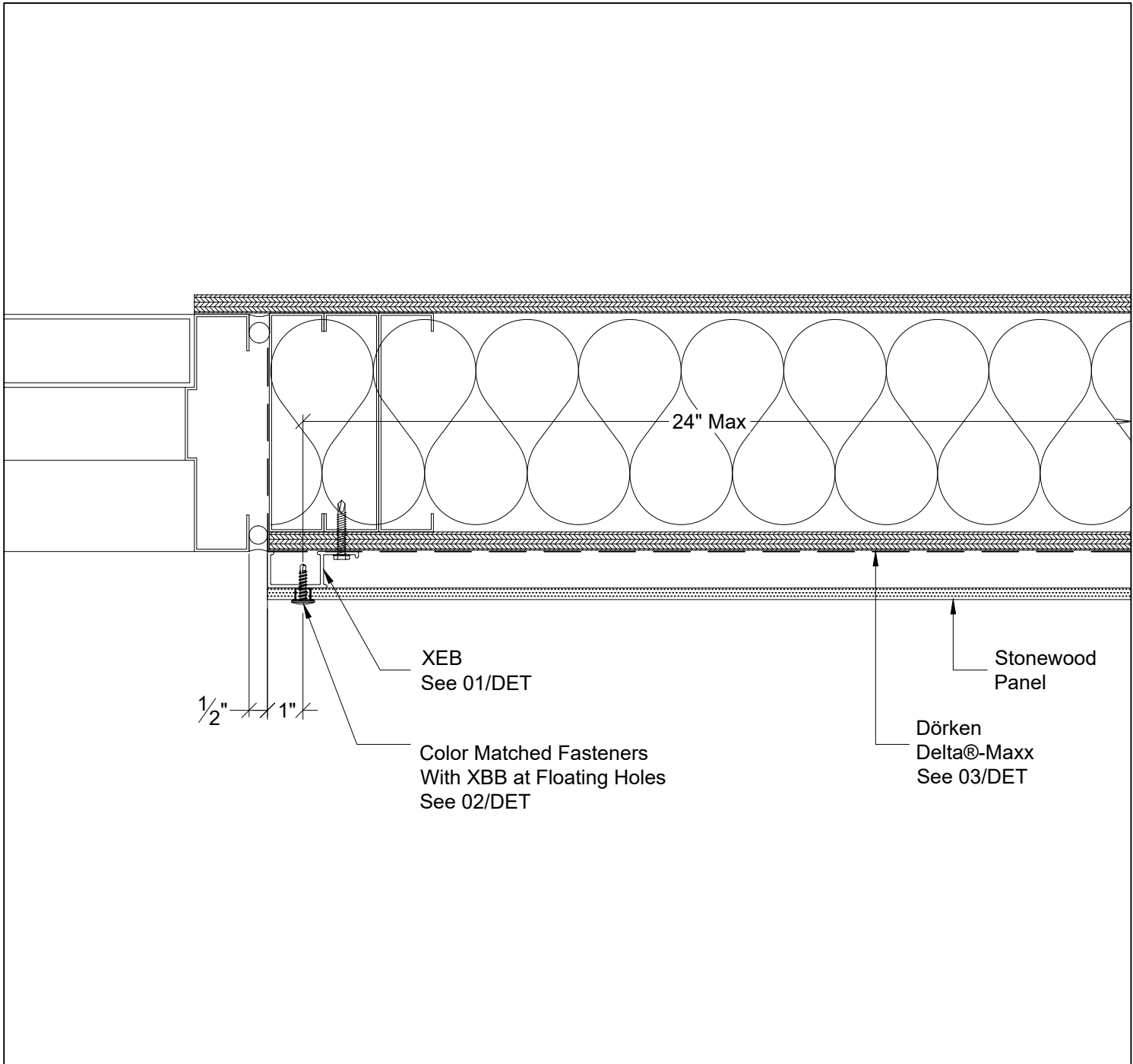
STONEWOOD EXPOSED FASTENING
NFPA 285 DETAIL SET



P
10-20-2021



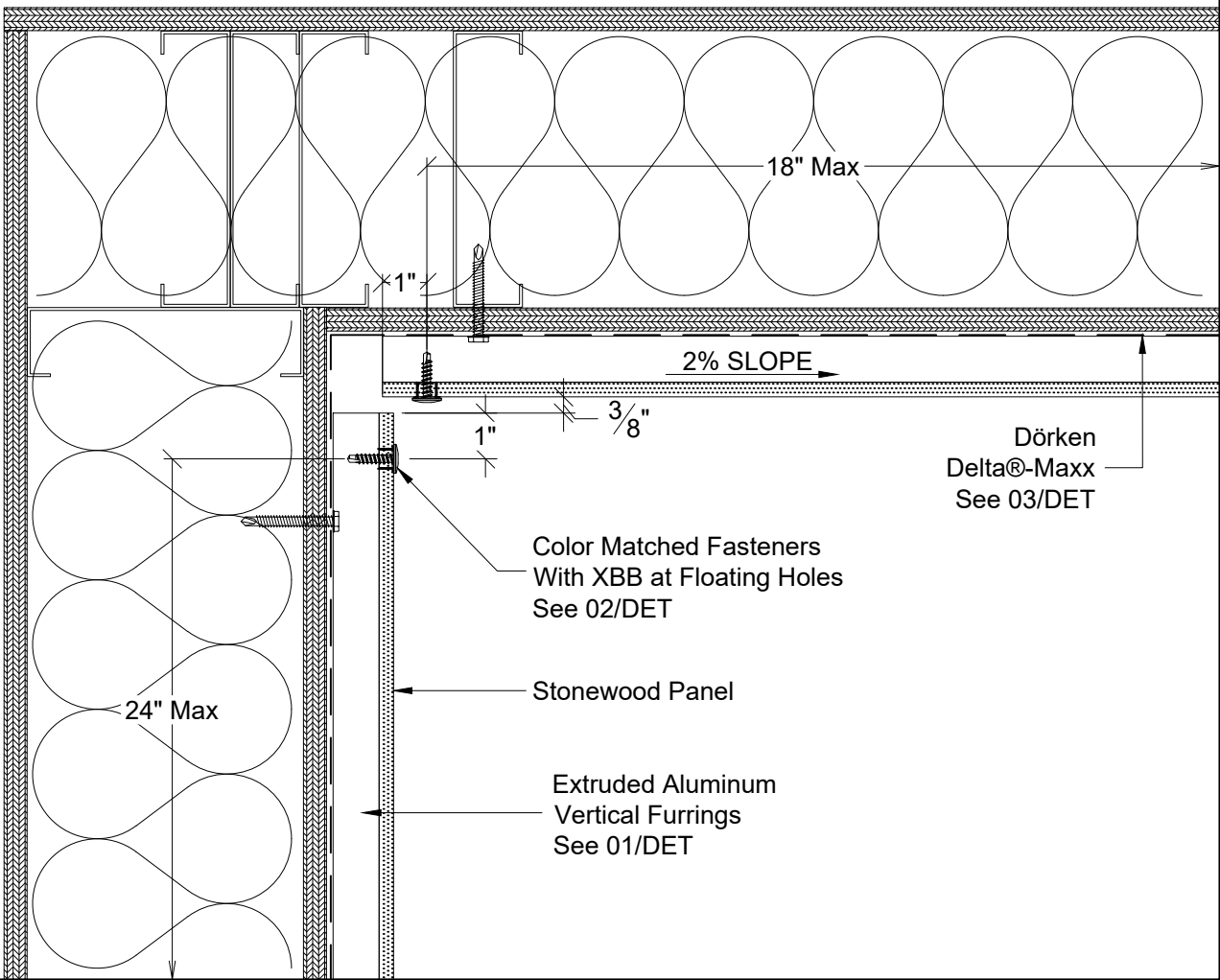
Q Section - Panel at Door Header
DET



R
DET Plan - Panel at Door Jamb

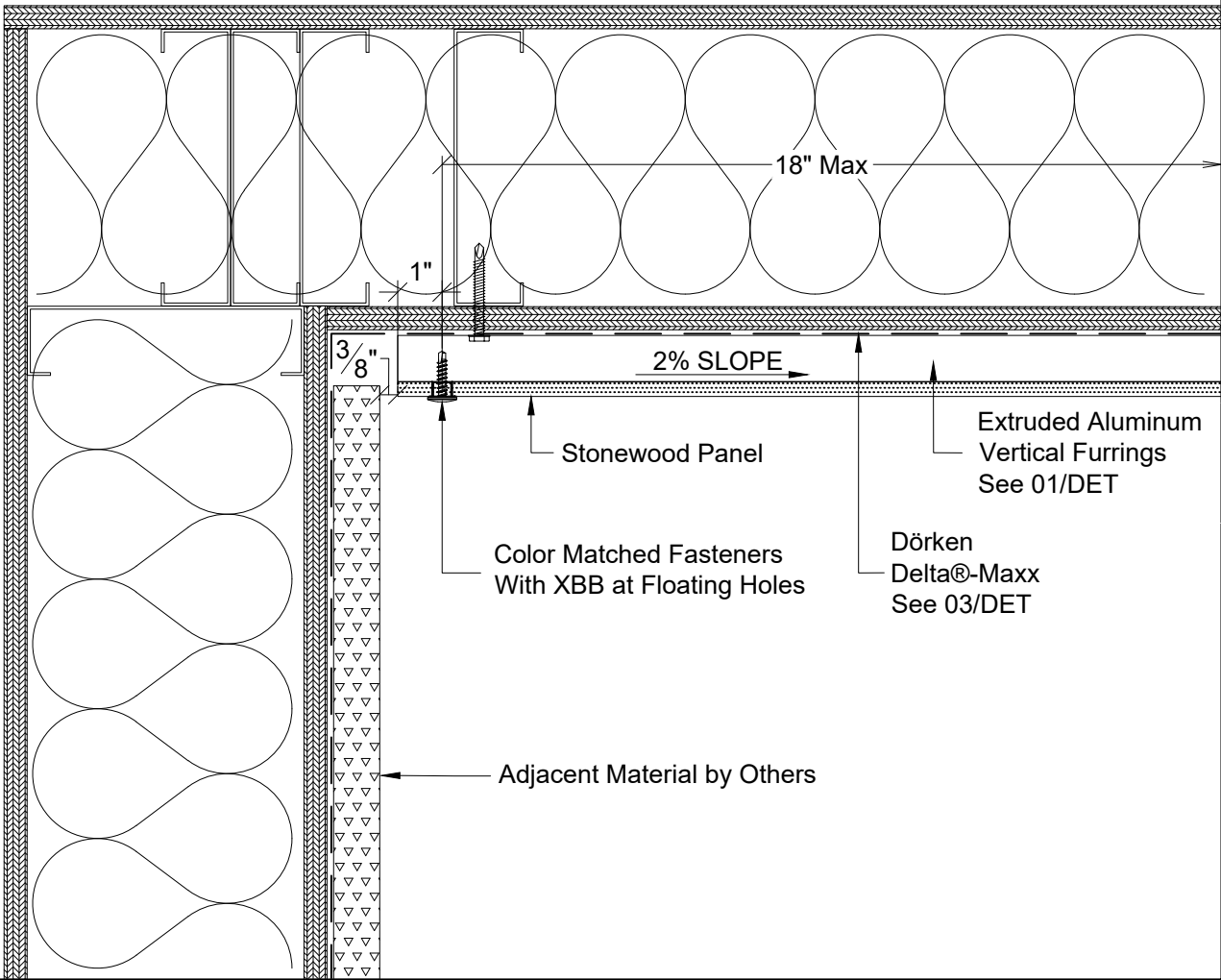
STONEWOOD EXPOSED FASTENING
NFPA 285 DETAIL SET

Fastener Spanning on Soffits are Reduced to a Maximum of 18" O.C.



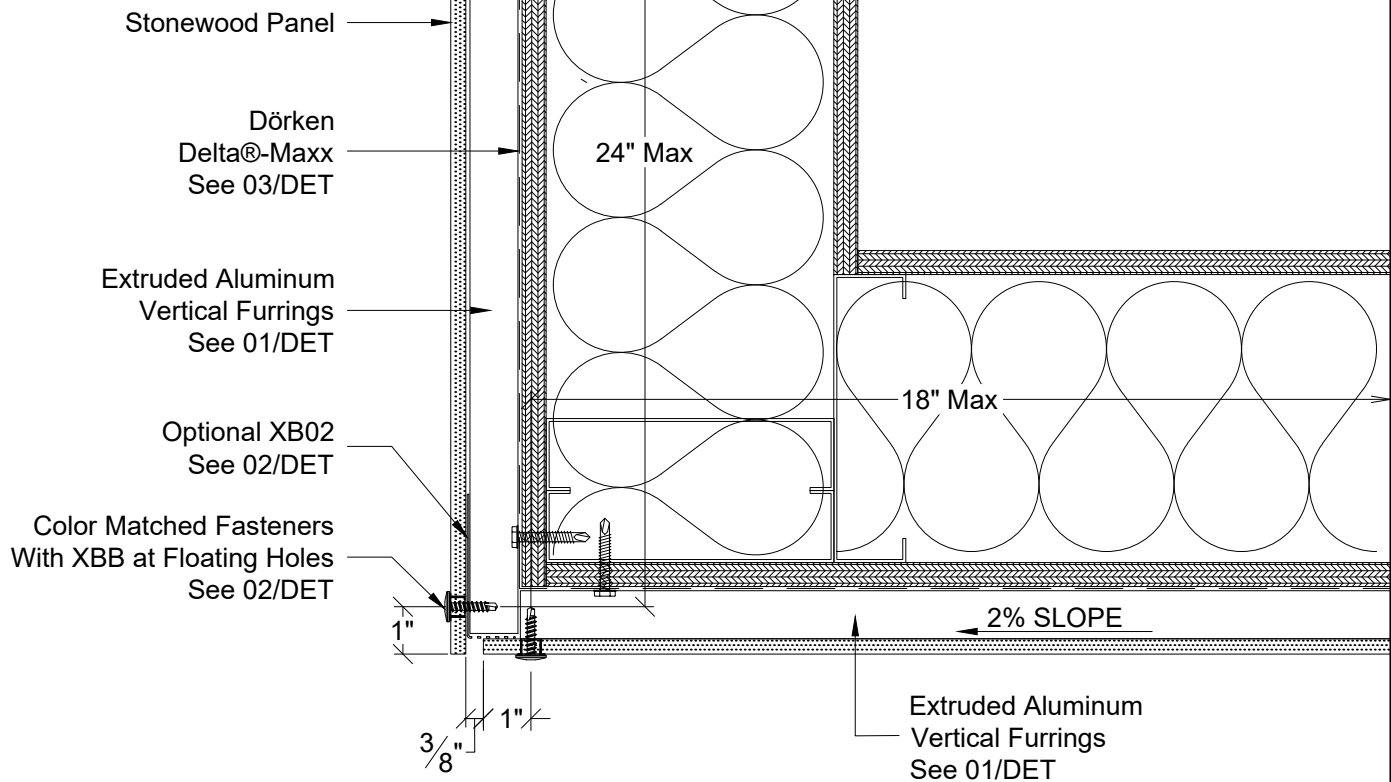
S1 Section - Panel at Wall to Soffit Transition
DET

Fastener Spanning on Soffits are Reduced to a Maximum of 18" O.C.



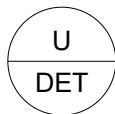
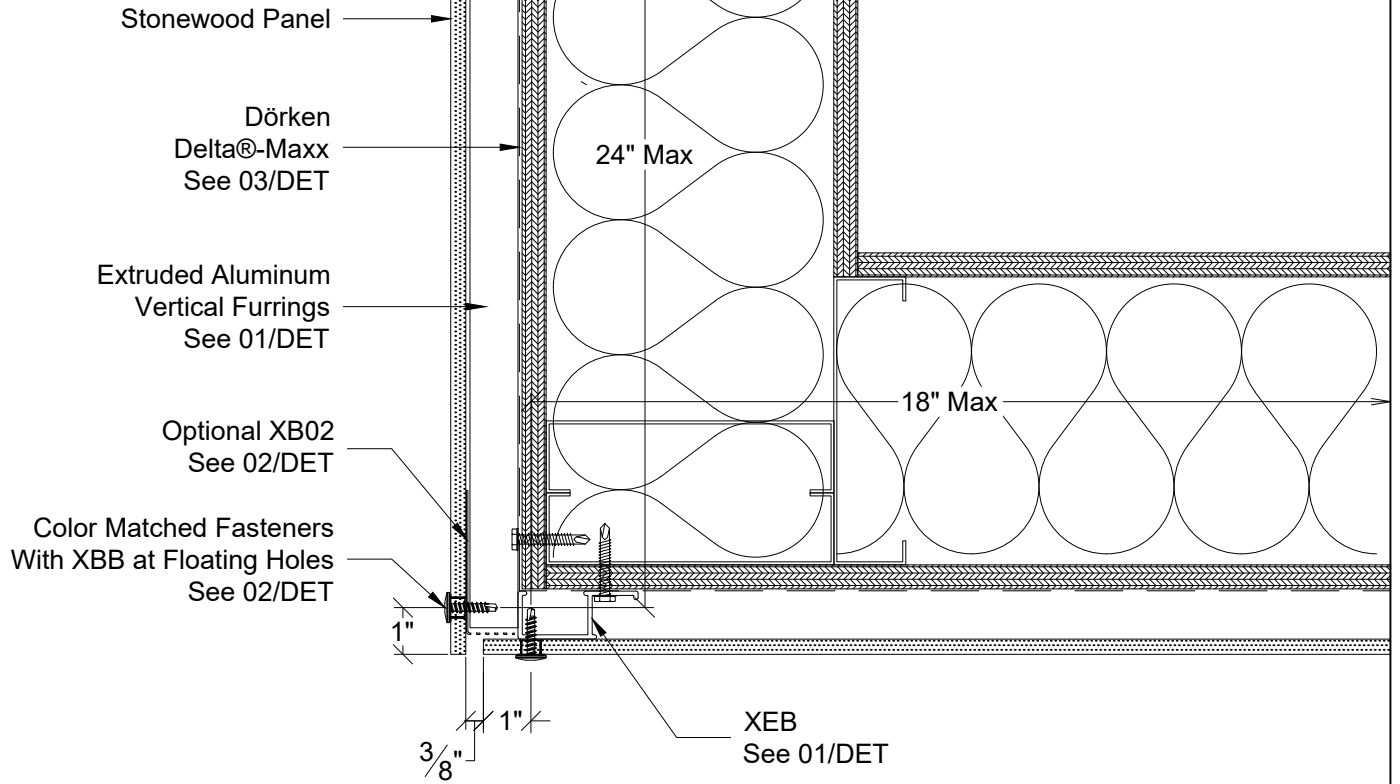
S2 Section - Panel at Wall to Soffit Transition
DET

Fastener Spanning on Soffits are Reduced to a Maximum of 18" O.C.



T
DET Section - Soffit to Fascia Transition: Drainage Plane

**Fastener Spanning on
Soffits are Reduced to
a Maximum of 18" O.C.**



Section - Soffit to Fascia Transition: Non-Drainage Plane