

Notice

Stonewood provides the testing and code compliance data in this document for information purposes only. Stonewood does not guarantee compliance with specific design requirements or local building codes. The customer is responsible for verifying the design, engineering, fire, and technical performance of the designed system.

The requirements in the below details relate to the US test method for evaluation of fire propagation characteristics of exterior wall assemblies containing combustible components, NFPA 285, and the use of Stonewood and non-Stonewood components. Additional requirements for compliance with the full test standard related to the base wall construction will apply.

Based on laboratory testing and third-party analysis, Stonewood systems designated with "NFPA 285 Detail Set" were deemed, as of the date of publication of this detail set, to meet the performance of NFPA 285 using specific Stonewood and non-Stonewood components. By providing this information, Stonewood is not making, and specifically disclaims, all warranties and guarantees, regarding such issues.

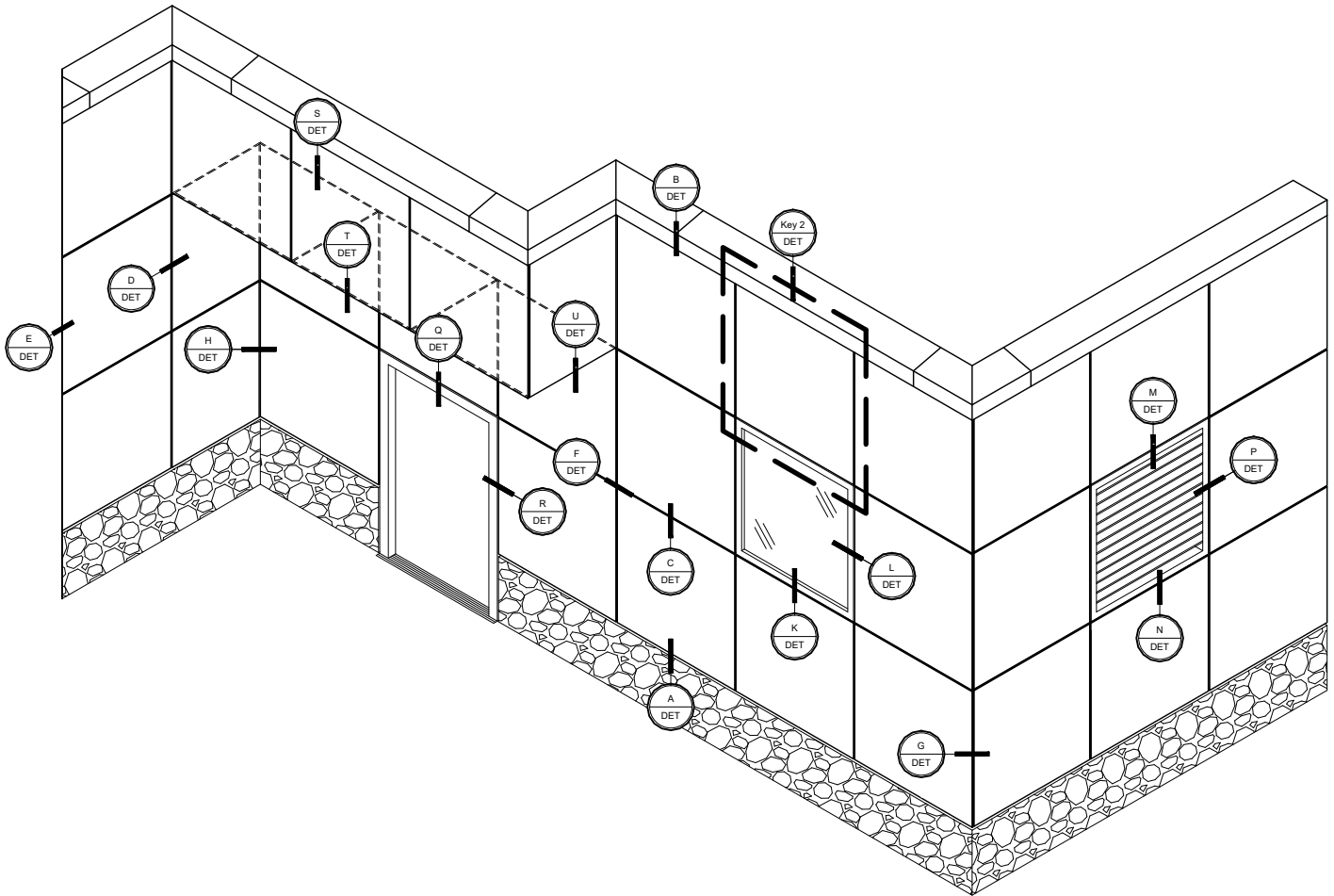
Accordingly, it is the customer's responsibility to take into account the specific field conditions and components which apply. For example, the type of weather barrier and insulation material used in connection with Stonewood products may affect the performance specified in the NFPA 285 standards. Stonewood makes no representations as to suitability for use of any weather barrier or insulation material, including the effect of such material on fire-rating, other than what is specified in the test or evaluation reports under the conditions set forth in those reports.

All installations should be evaluated by a code consultant or building official for compliance with all applicable codes. Stonewood is not responsible for any modification to the components, geometry, or specifications set forth in the test report or for any material or component other than as expressly set forth in the test report.

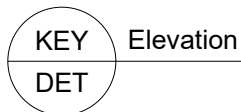
It is the responsibility of the customer to evaluate whether any modification to the Stonewood or non-Stonewood components would negatively impact performance. Stonewood shall have no obligation or liability to any person or entity for any injury, loss, or damage arising out of or related to any such modification.

00
DET

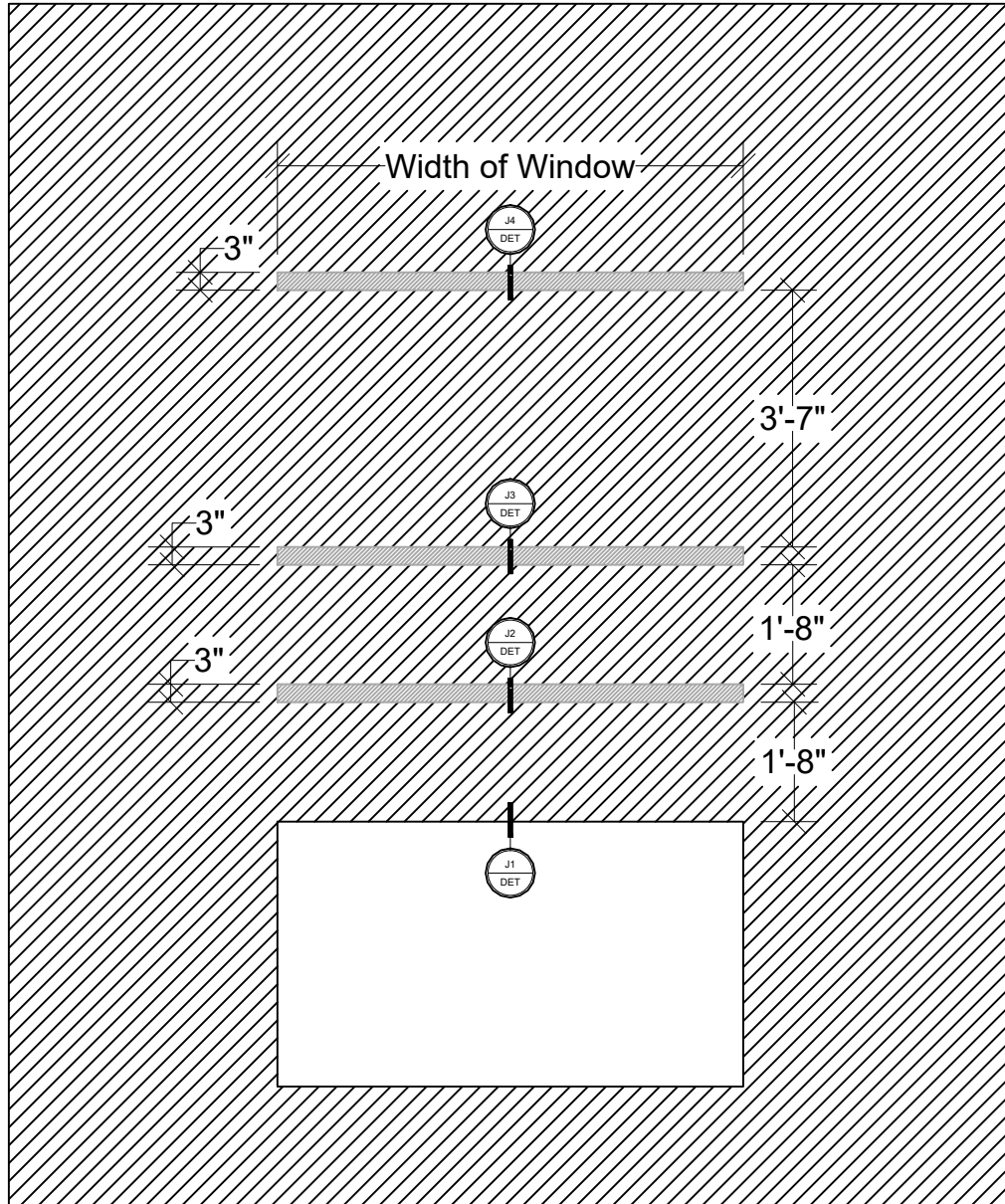
Cover Page



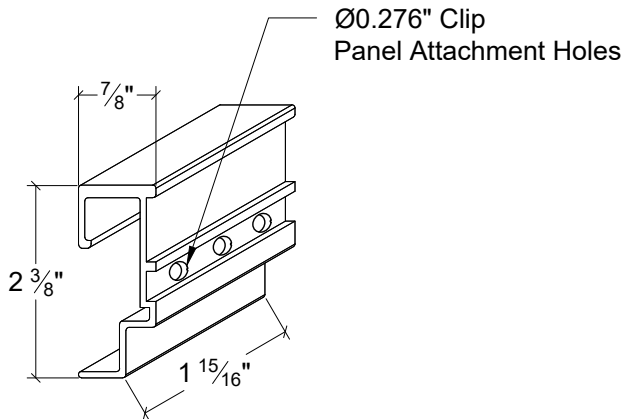
Extruded aluminum furring must be attached to structural members designed to support the dead and live loading of the entire wall system. The following details do not specify, suggest, or imply the attachment between the structure and aluminum furring. The customer is responsible for the structural engineering of attachment to structure.



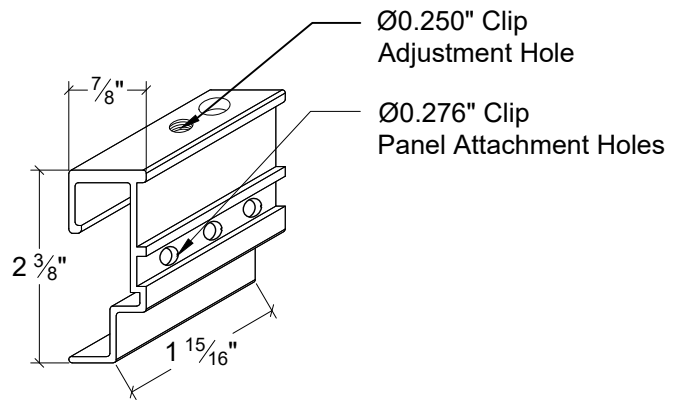
NFPA 285 Window Conditions



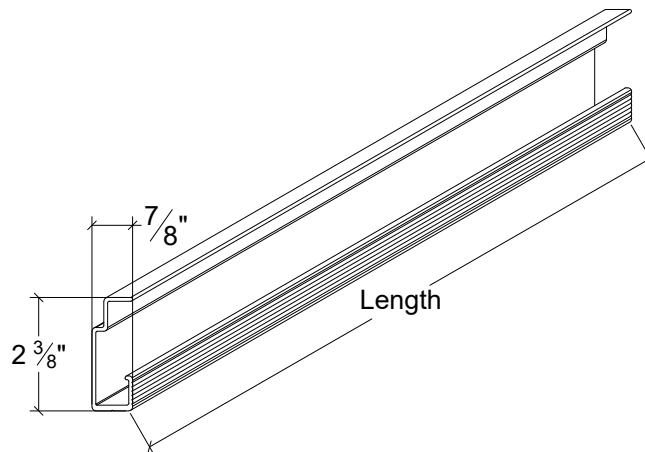
KEY 2 Elevation
DET



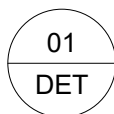
CFCS:
Standard Clip Extrusion
Structural Grade Aluminum Alloy
Factory Mill Finished



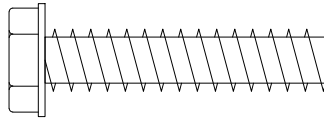
CFCAC:
Adjustable Clip Extrusion
Structural Grade Aluminum Alloy
Factory Mill Finished
Required at Upper Left and Right Corners of Panels



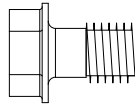
CFRM:
Continuous Rail Extrusion
Structural Grade Aluminum Alloy
Factory Mill Finished



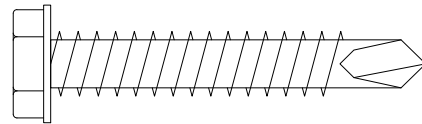
01 Concealed Fastener System Parts Catalog



CFCAB:
Adjustable Leveling Bolt
Every CFCAC Clip Includes One

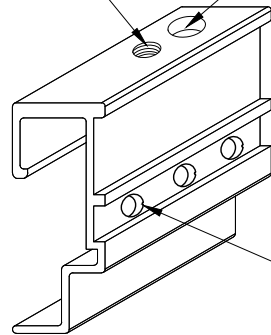


CFF5:
Clip Fastener, 2 per Panel Clip (CFCS & CFCAC)
Used to Attach Clips to Stonewood Panels



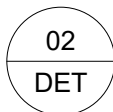
CFCSS:
Adjustable Panel Attachment Clip Set Screw
Every CFCAC Clip Includes One
Use Only 1 per Panel

Use CFCAB Adjustable Panel Attachment Clip Bolt to Adjust Panel for Level in Top Corners of Panels

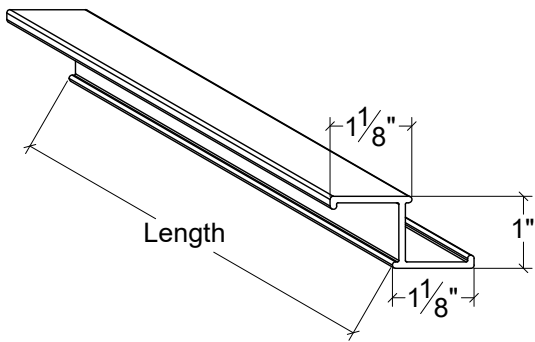


Use CFCSS Adjustable Panel Attachment Clip Set Screw to Secure Clip to Rail
Only Use 1 CFCSS per Panel

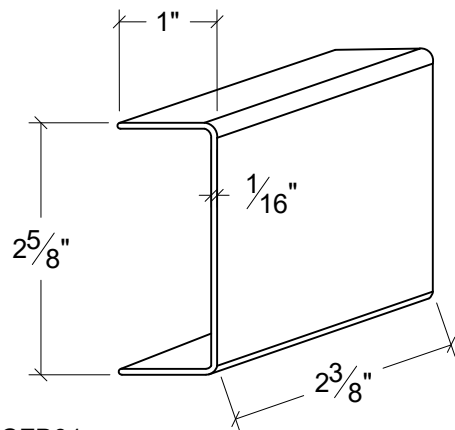
Use CFF5
2 per Panel Clip (CFCS & CFCAC)



Concealed Fastener System Parts Catalog



XZB - Vertical Attachment Furring
 Structural Grade Aluminum Alloy Extrusion
 Factory Finished Black



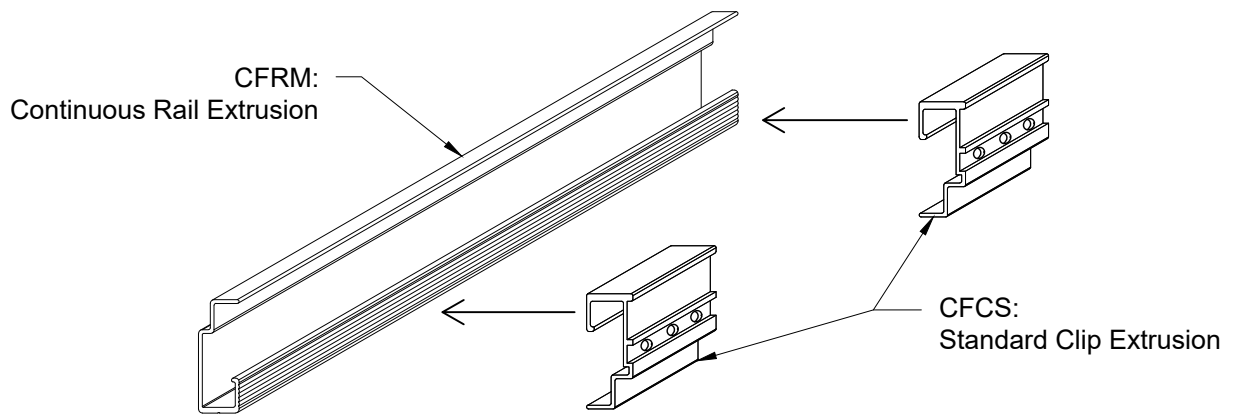
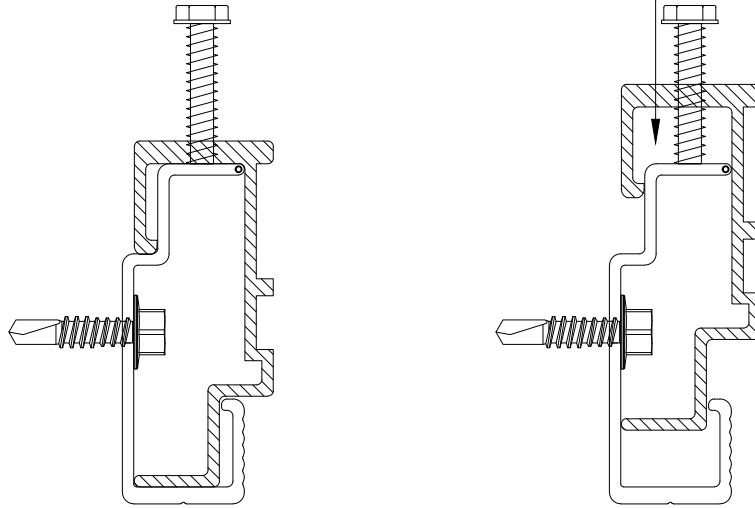
CFB01:
 Rail Cover, 1/16" Plastic, Prefinished Black
 Provided in 2-3/8" Lengths
 Applied to CFRM Panel Rails at Vertical Joints



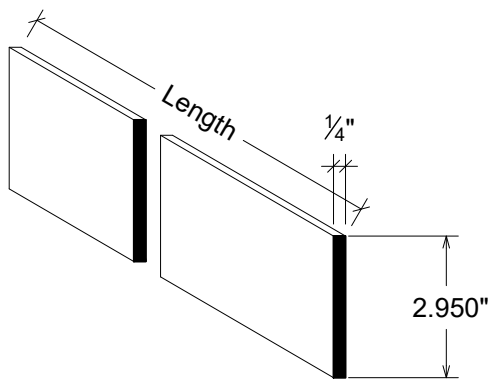
Concealed Fastener System Parts Catalog

Assembled CFRM Carrier Rail And CFCAC Clip & Adjustability

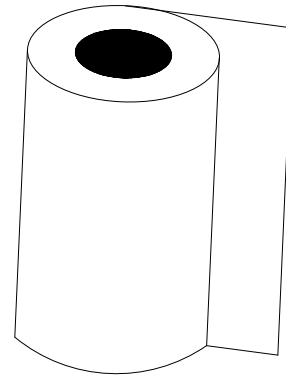
APPROX. $\frac{1}{2}$ " [12mm] ADJUSTABILITY



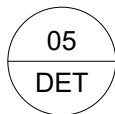
04 Concealed Fastener System Parts Catalog
DET



TENMAT FF102/50 - Ventilated Fire Barrier, 39" Length
 Three Rows Per Key 2
 Required Entirely Across all Window Openings.
 Install Per Manufacturer Guidelines.

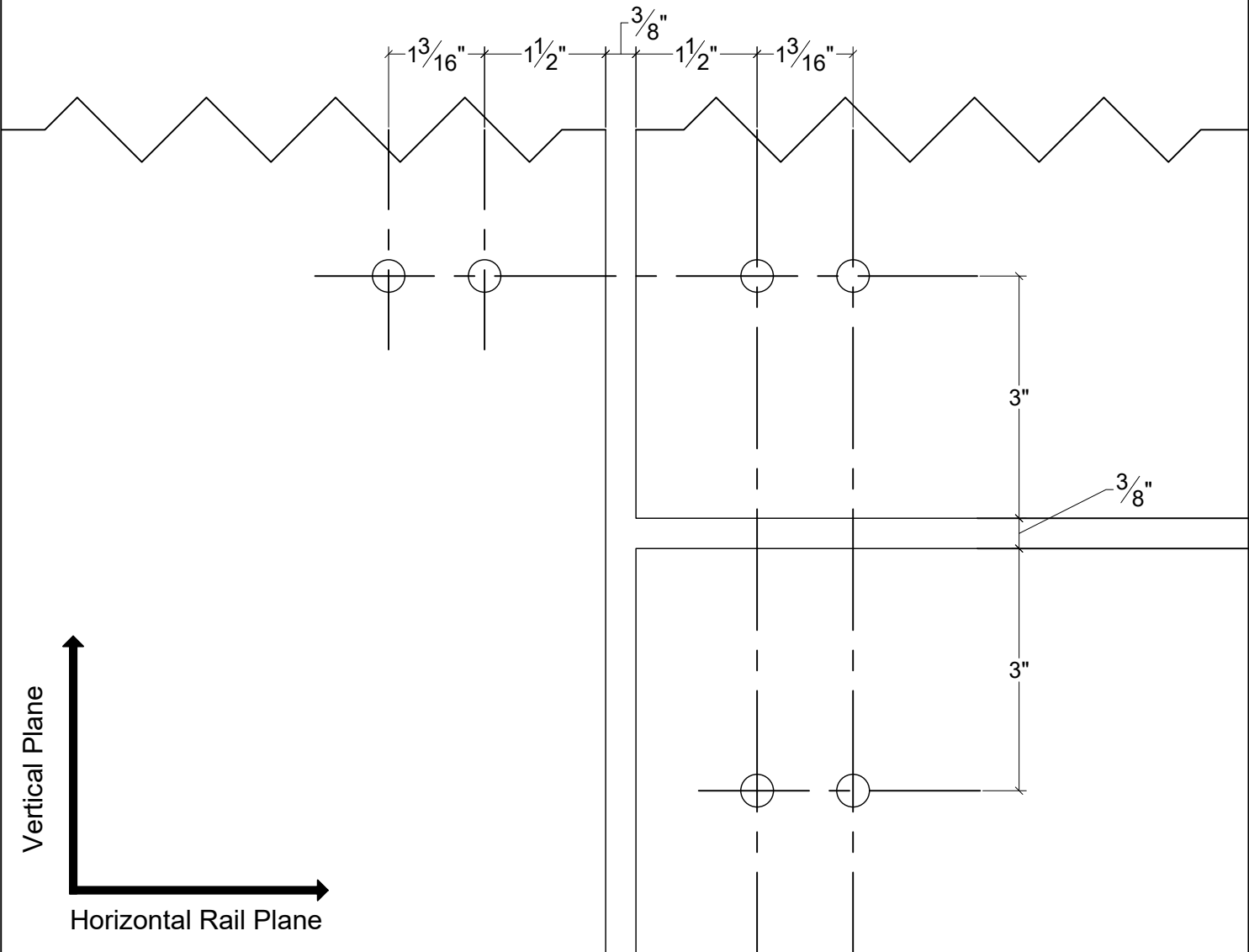


Tremco ExoAir® 110AT
 Self-Adhered Air and Vapor Barrier Membrane
 Install Per Manufacturer Guidelines.



Concealed Fastener System Parts Catalog

DRILLING KEY FOR CF PARTS:
 HOLE DIAMETER = 5mm or $\frac{13}{64}$ " \varnothing Hole
 DRILL HOLE DEPTH = 7mm or $\frac{9}{32}$ "
 MAX HOLE SPANS = 24" O.C.



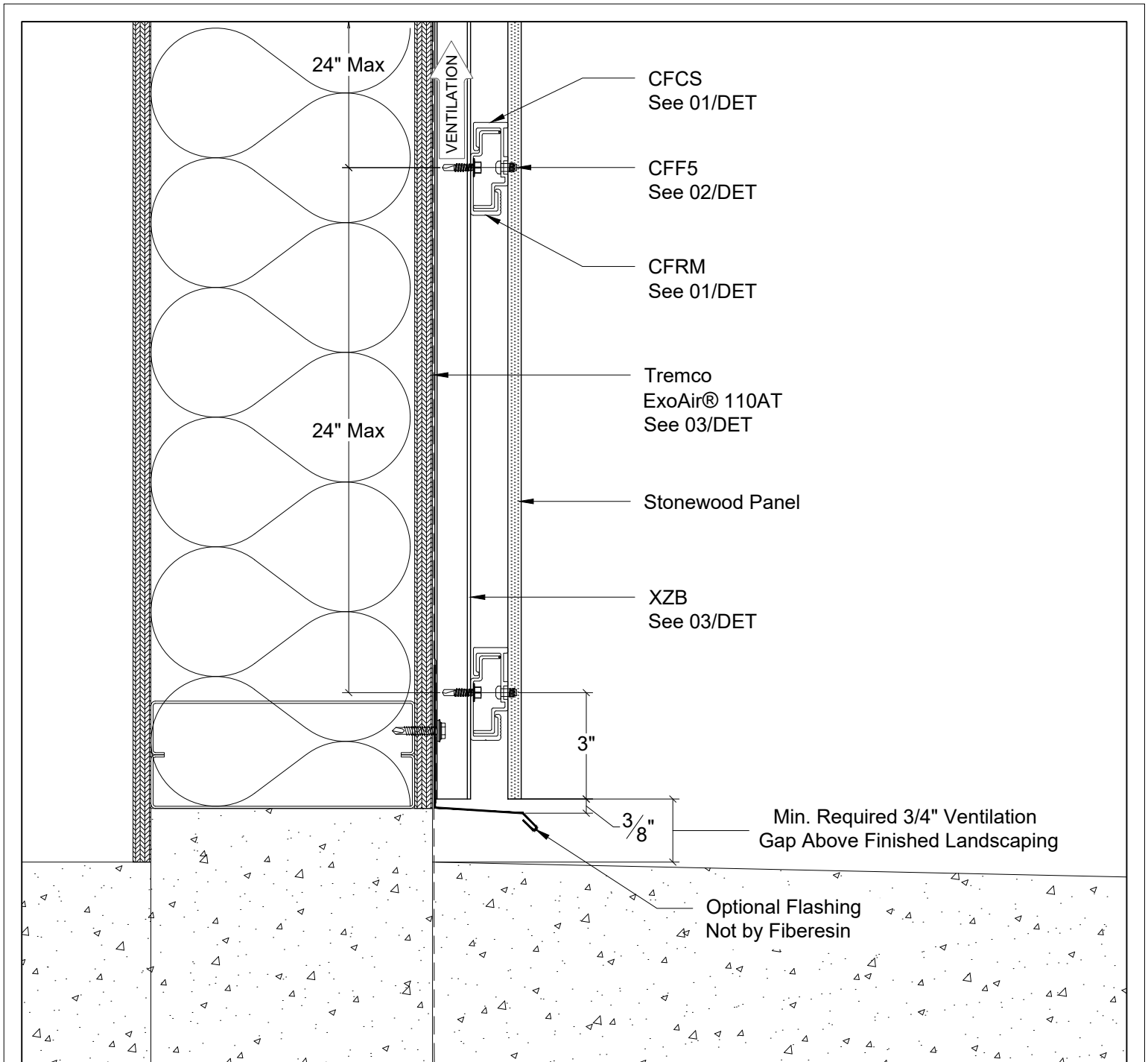
06
DET

Concealed Fastener System Parts Catalog



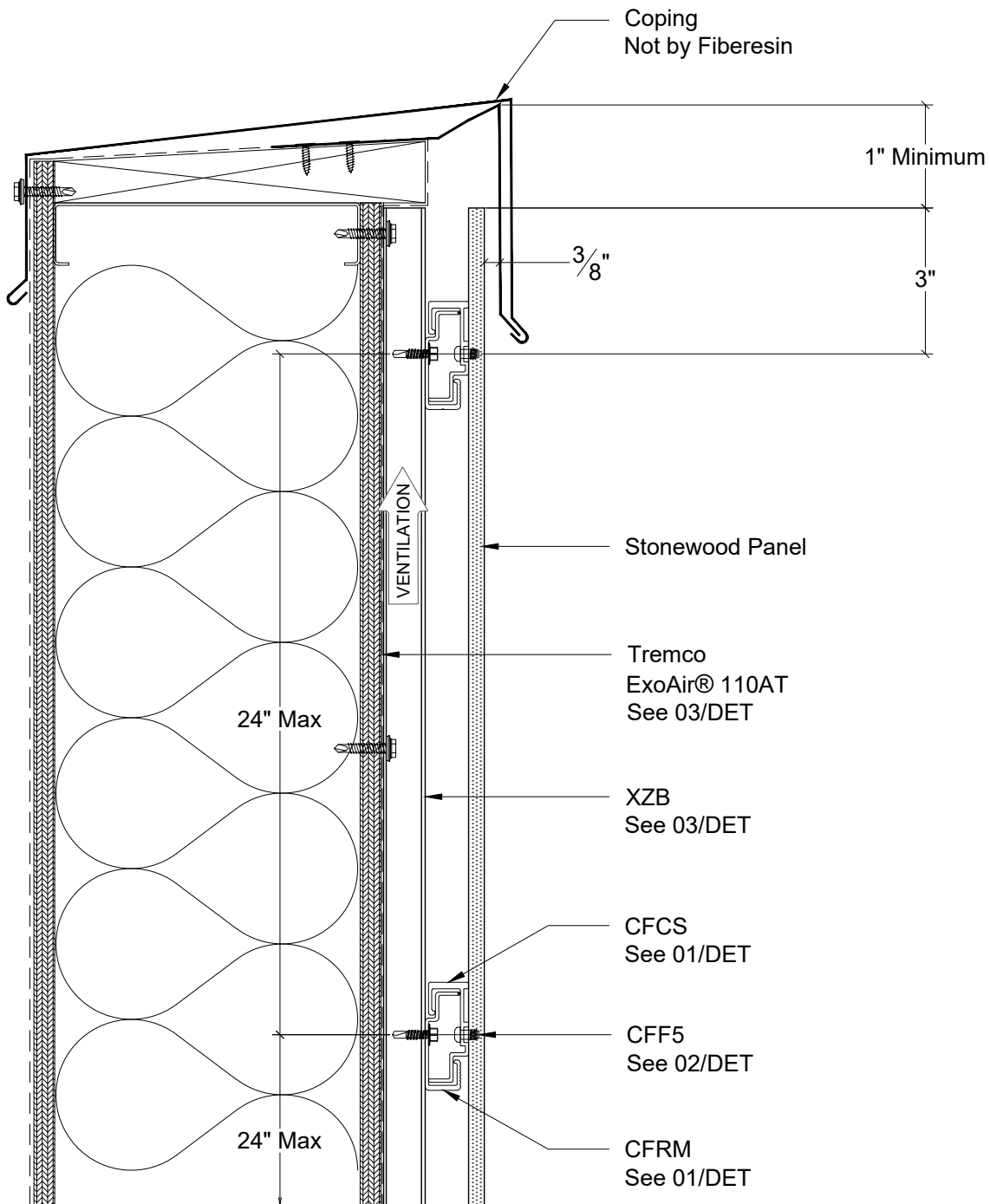
STONWOOD CONCEALED FASTENER SYSTEM
NFPA 285 DETAIL SET

06
10-20-2021

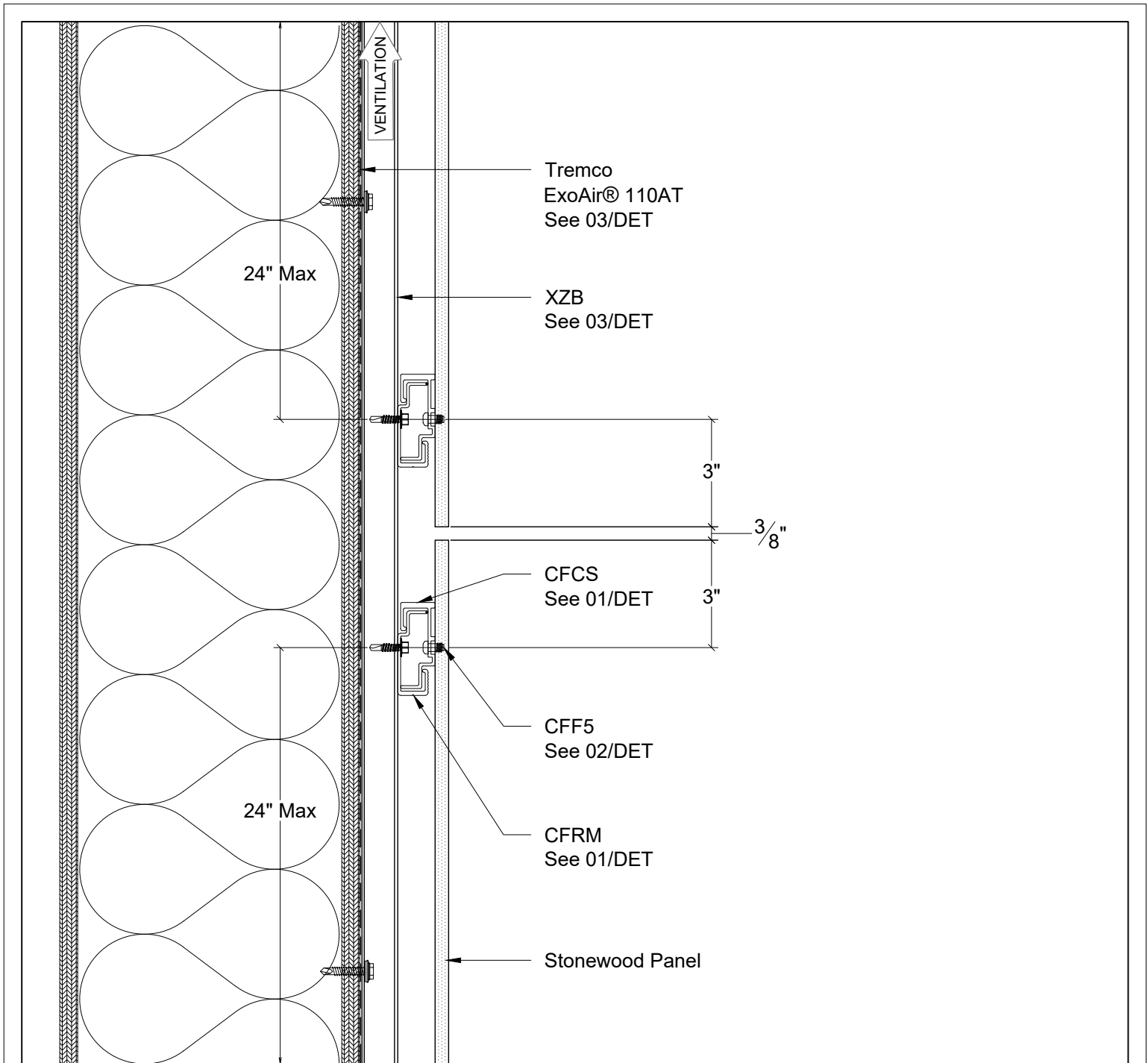


A
DET

Section - Panel at Bottom Termination

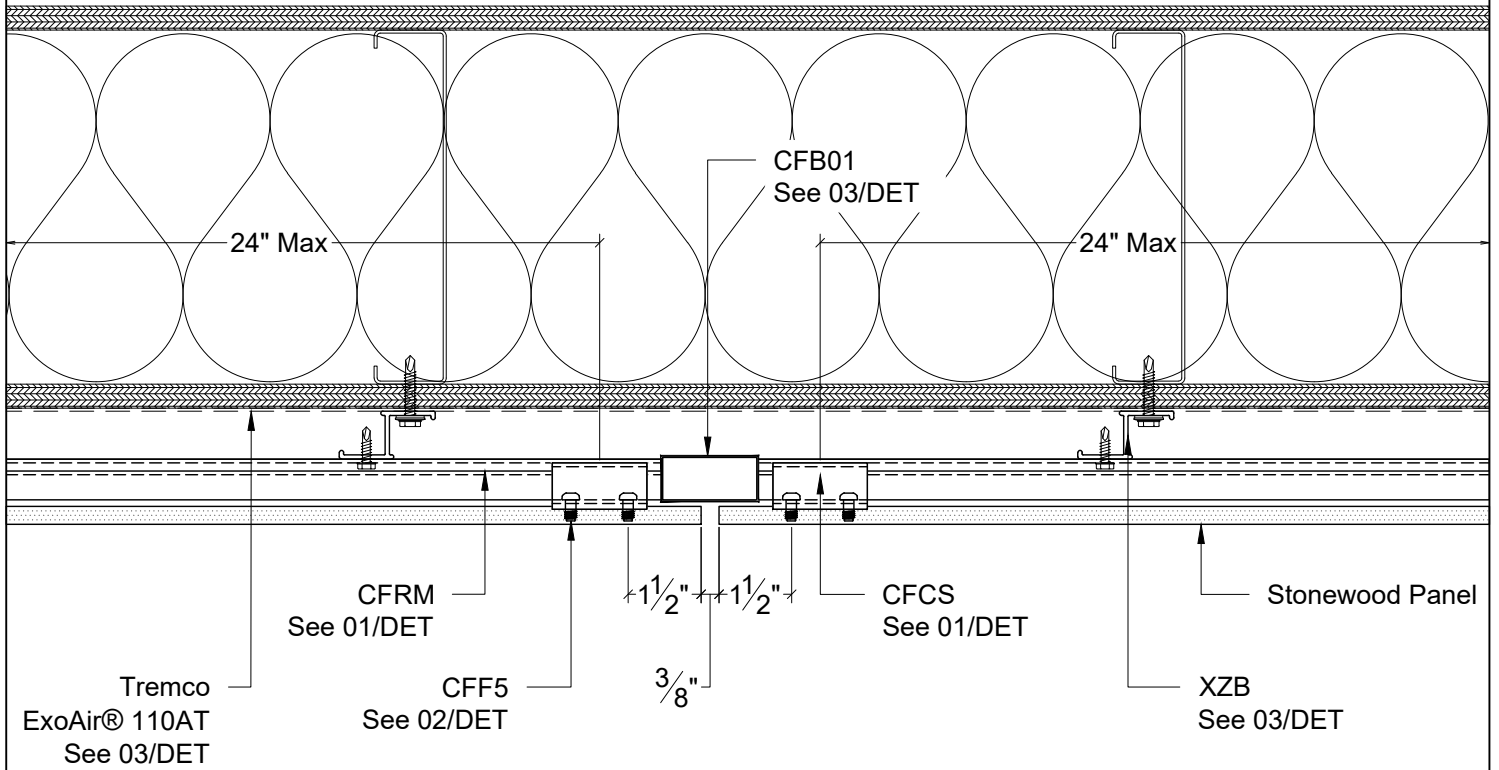


B Section - Panel at Top Termination
DET



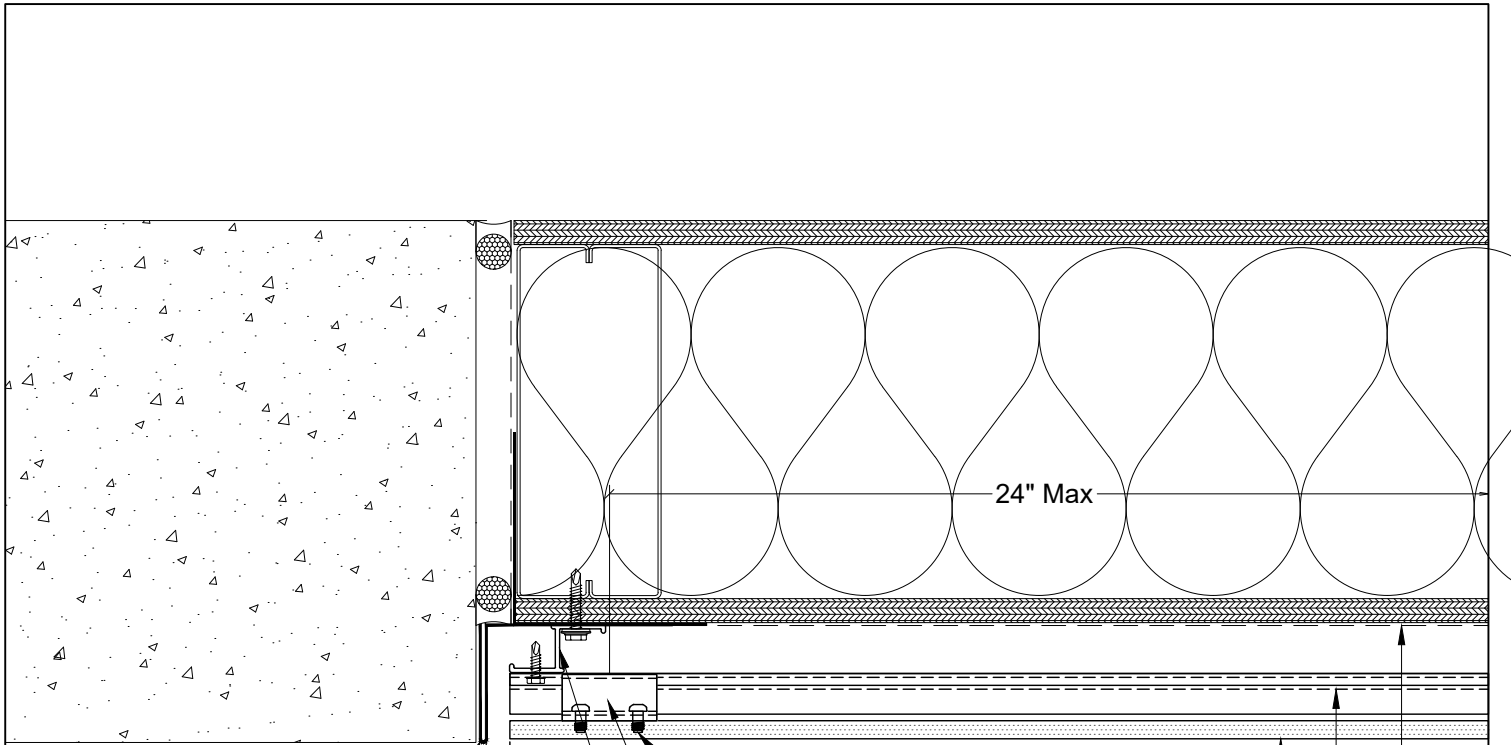
C
DET

Section - Panel at Horizontal Joint



D
DET

 Plan - Panel at Vertical Joint



- Flashing
Not by Fibersin
- 1 1/2"
- 1 1/2"
- CFF5
See 02/DET
- CFCS
See 01/DET
- XZB
See 03/DET
- Stonewood Panel
- CFRM
See 01/DET
- Tremco
ExoAir® 110AT
See 03/DET

E
DET

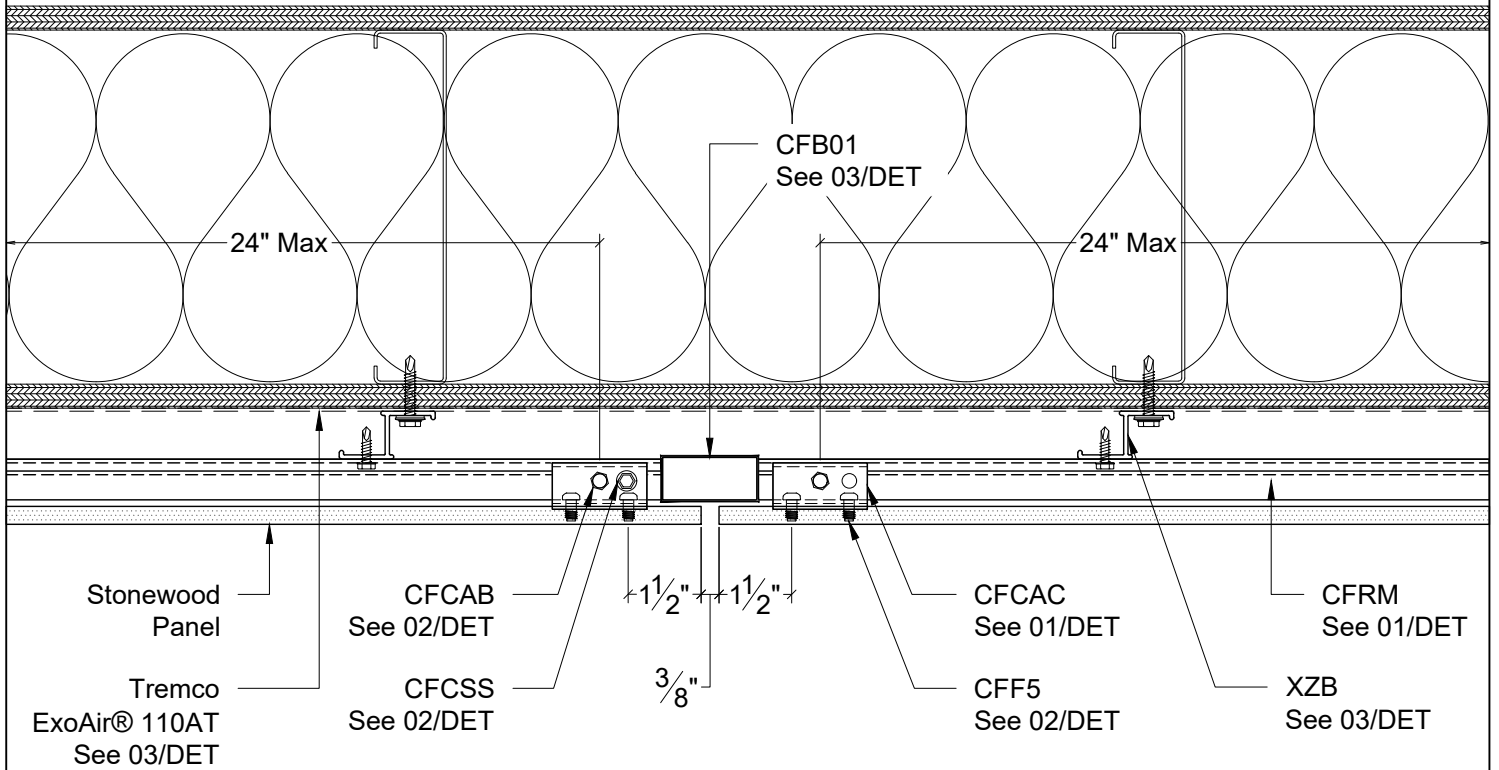
 Plan - Panel at Forced Termination



STONEWOOD CONCEALED FASTENER SYSTEM
NFPA 285 DETAIL SET

E
 10-20-2021

Install CFCAC On the Top Corners of the Panels. Only Install 1 CFCSS per Panel to Create a Fixed Point.

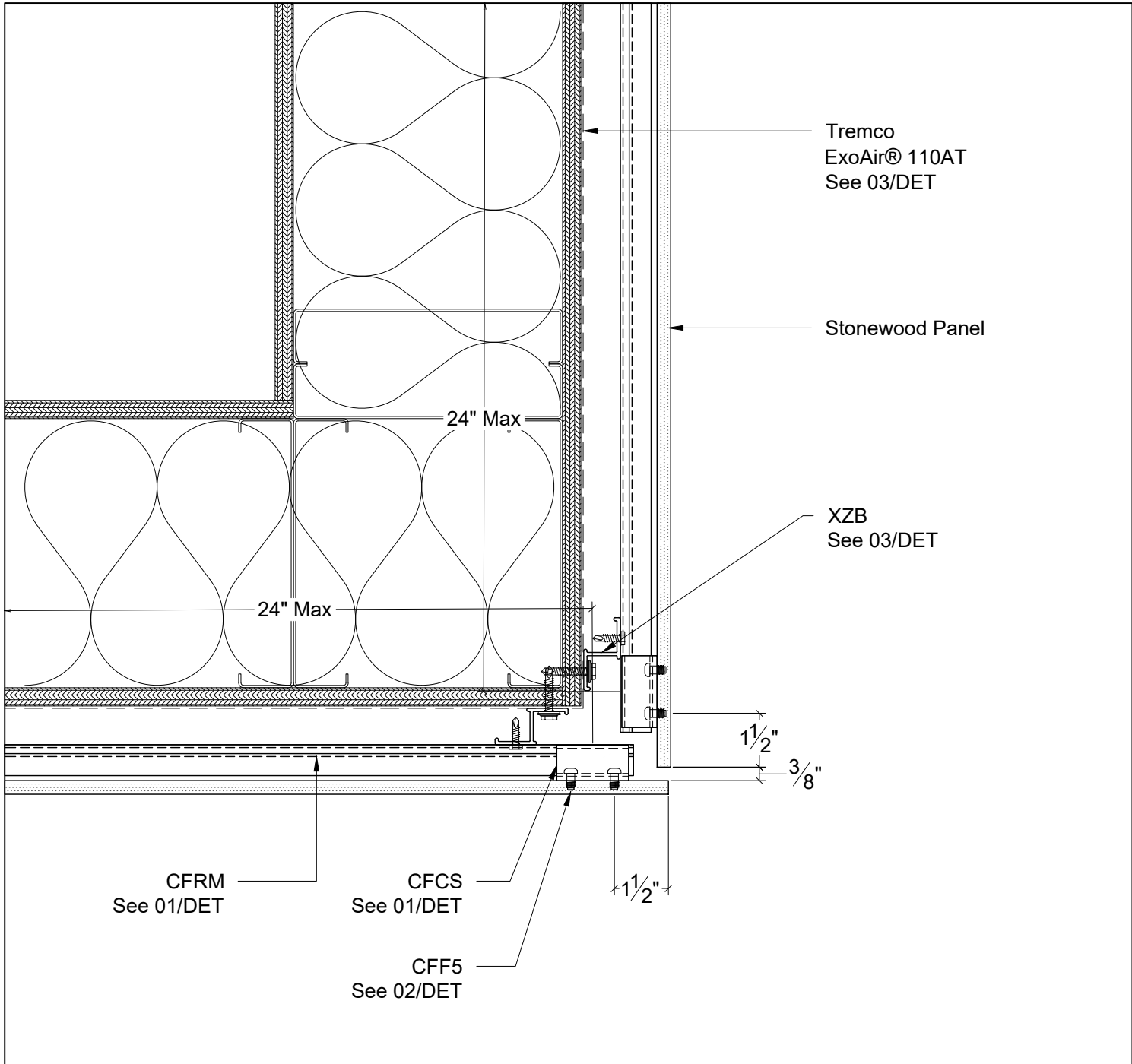


F
DET Plan - Panel at Fixed Point at Top Corner

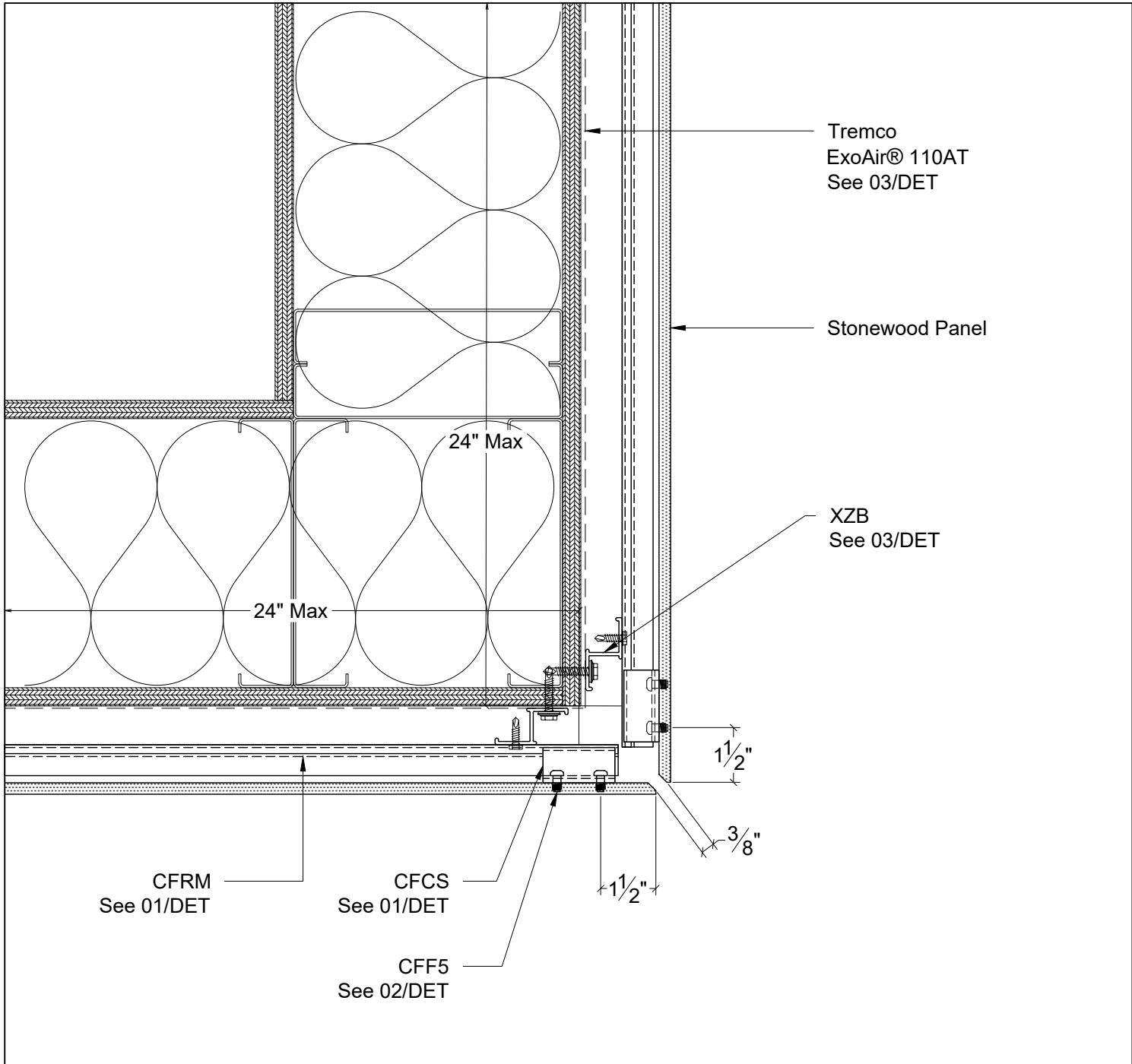


STONEWOOD CONCEALED FASTENER SYSTEM
NFPA 285 DETAIL SET

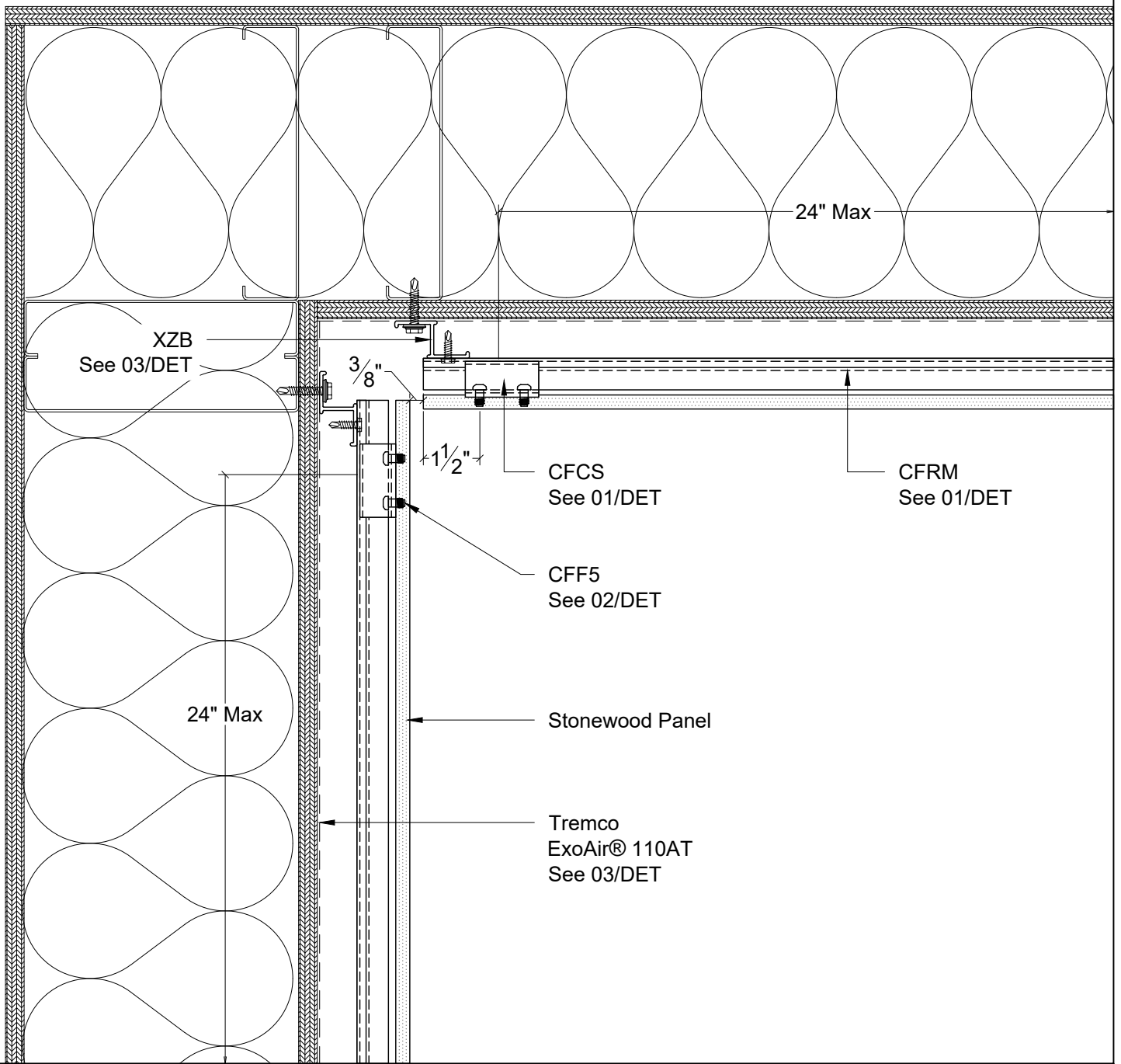
F
10-20-2021



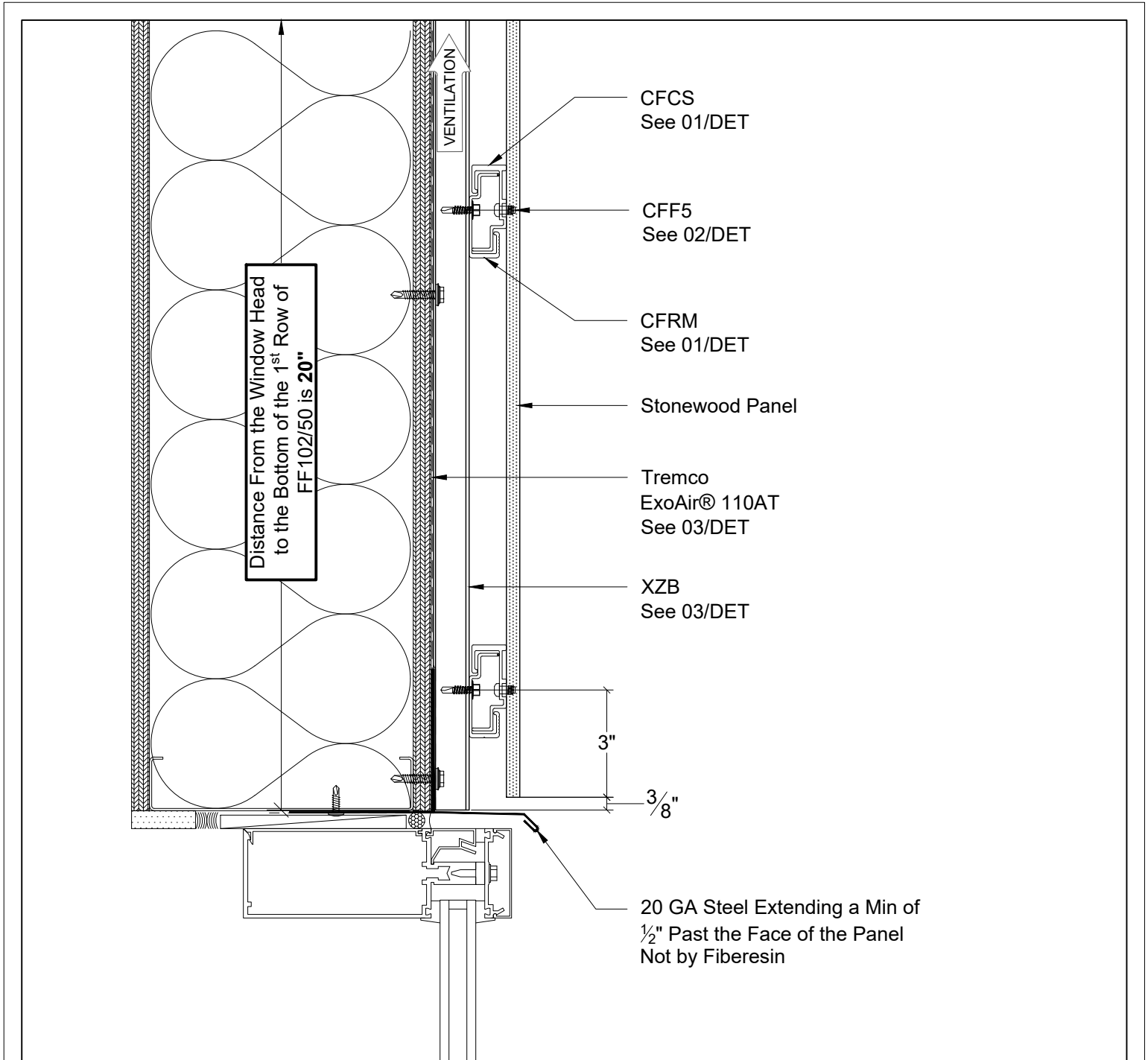
G1 Plan - Panel at Outside Corner: Primary
 DET



G2 Plan - Panel at Outside Corner: Alternative
 DET



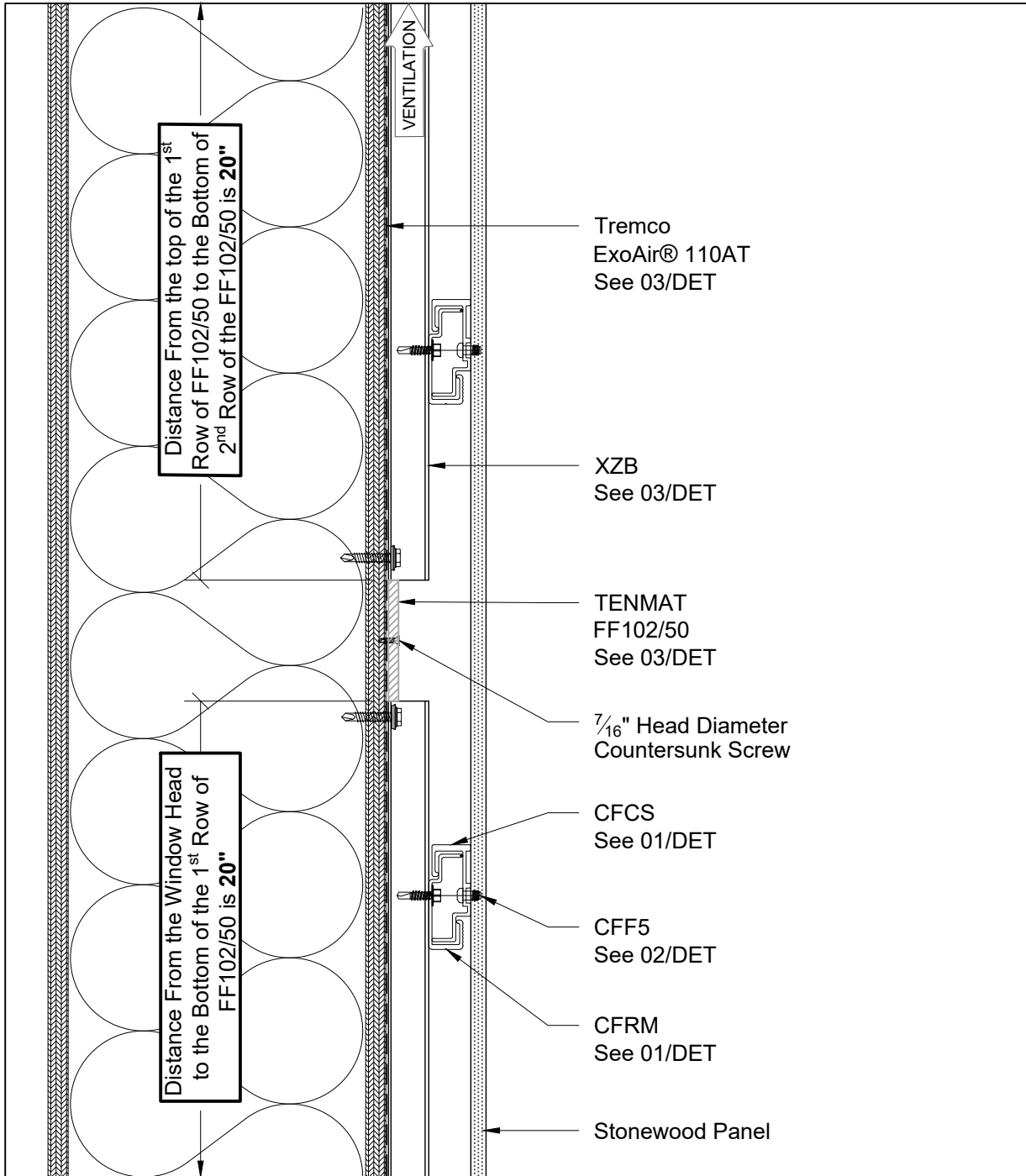
H
DET Plan - Panel at Inside Corner



J1
DET

Section - Panel at Window Header

1st Row of
FF102/50



Tremco
ExoAir® 110AT
See 03/DET

XZB
See 03/DET

TENMAT
FF102/50
See 03/DET

7/16" Head Diameter
Countersunk Screw

CFCS
See 01/DET

CFF5
See 02/DET

CFRM
See 01/DET

Stonewood Panel

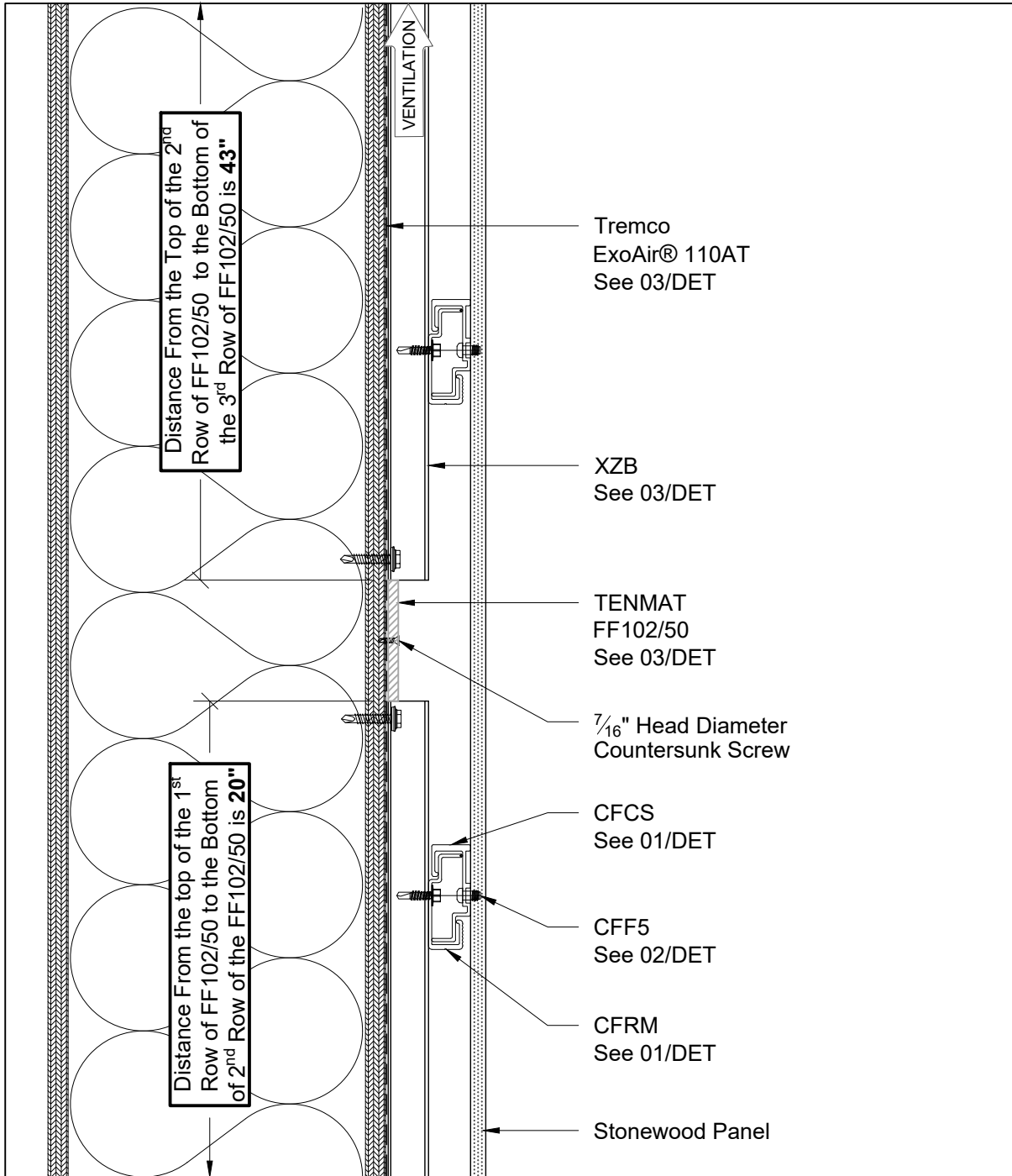
Distance From the top of the 1st
Row of FF102/50 to the Bottom of
2nd Row of the FF102/50 is 20"

Distance From the Window Head
to the Bottom of the 1st Row of
FF102/50 is 20"

J2
DET

Section - Panel Above Window Opening, First Row of TENMAT FF102/50

2nd Row of
FF102/50



Tremco
ExoAir® 110AT
See 03/DET

XZB
See 03/DET

TENMAT
FF102/50
See 03/DET

7/16" Head Diameter
Countersunk Screw

CFCS
See 01/DET

CFF5
See 02/DET

CFRM
See 01/DET

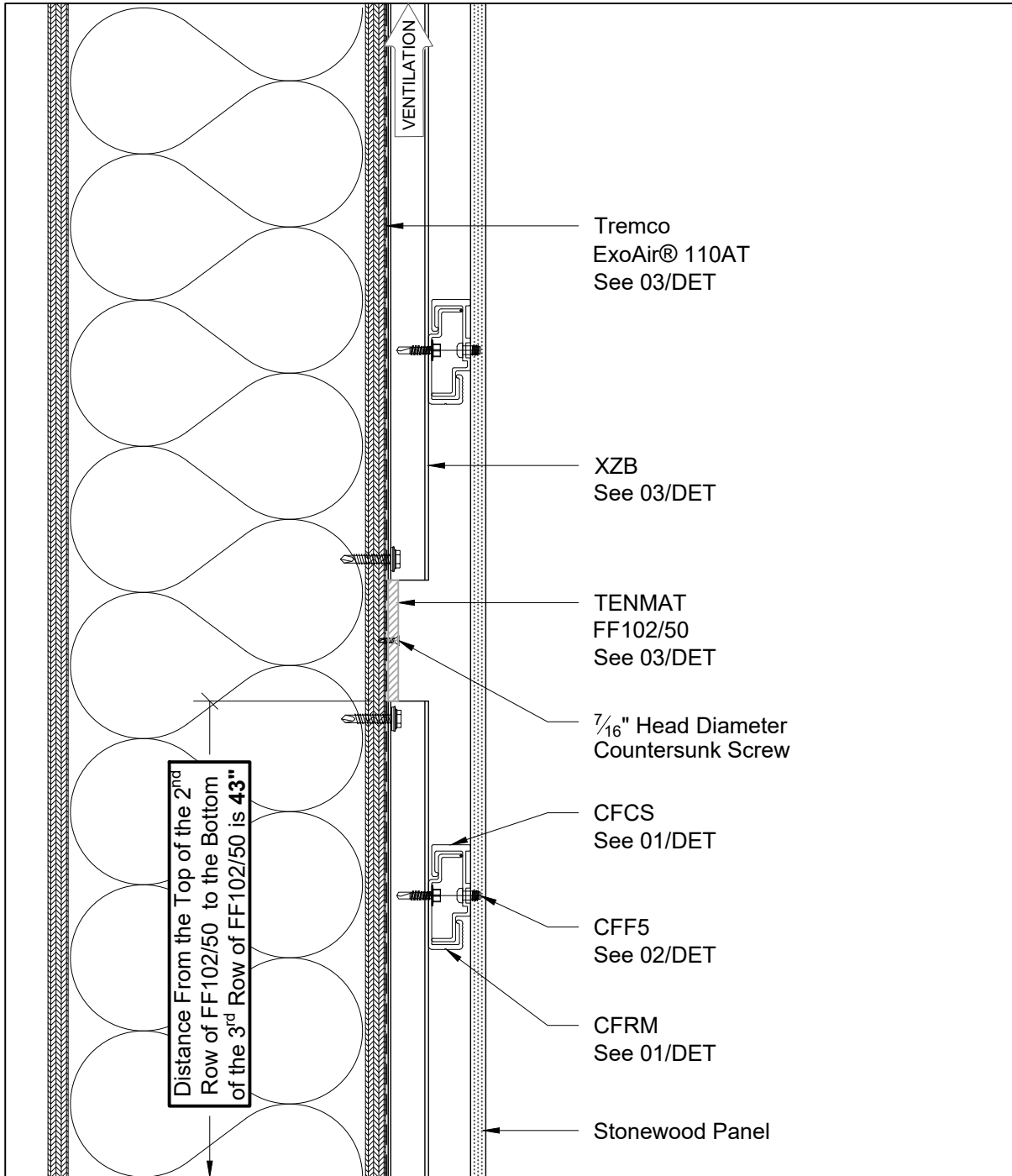
Stonewood Panel

J3
DET

Section - Panel Above Window Opening, Second Row of TENMAT FF102/50



3rd Row of
FF102/50



Tremco
ExoAir® 110AT
See 03/DET

XZB
See 03/DET

TENMAT
FF102/50
See 03/DET

7/16" Head Diameter
Countersunk Screw

CFCS
See 01/DET

CFF5
See 02/DET

CFRM
See 01/DET

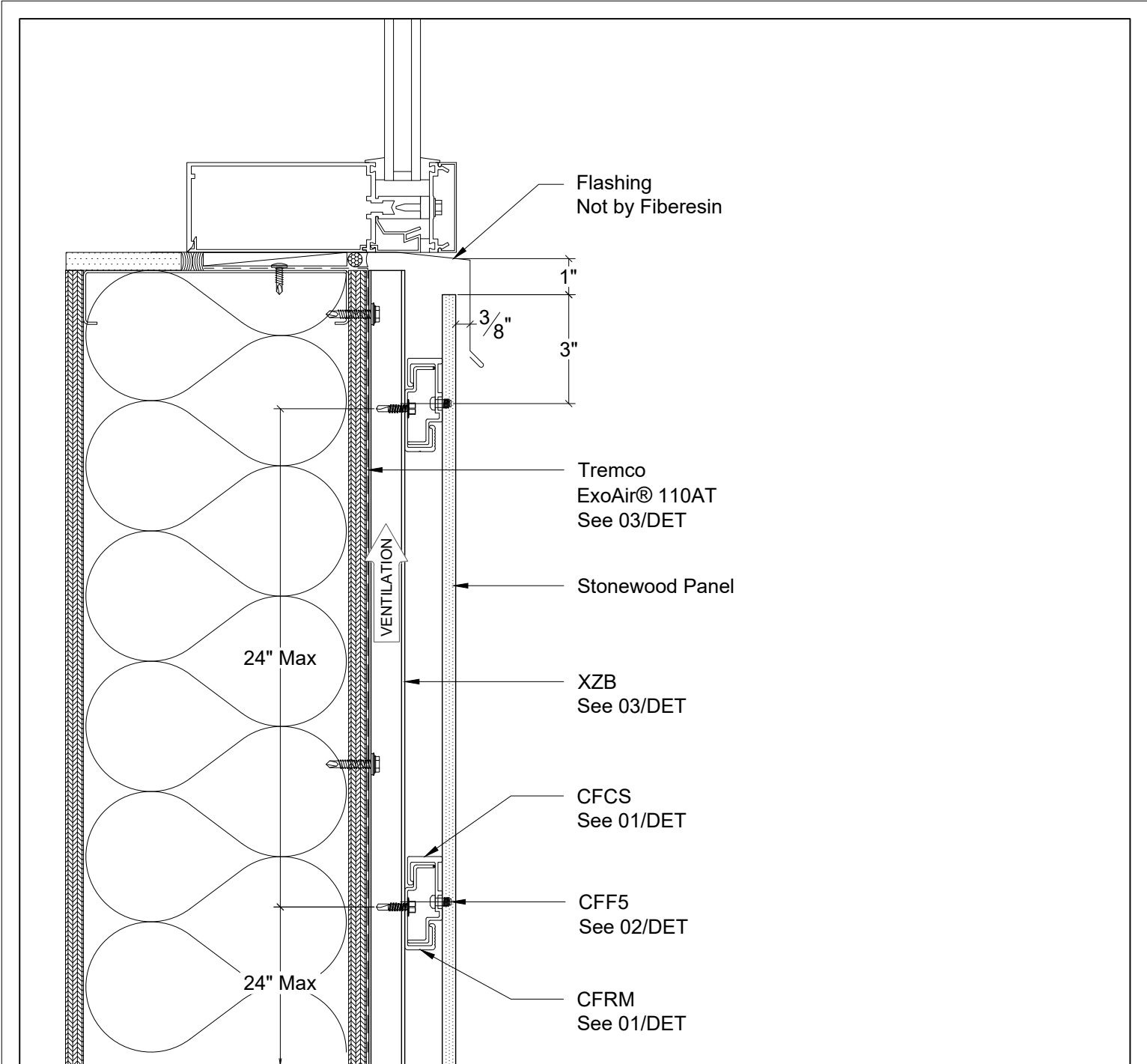
Stonewood Panel

Distance From the Top of the 2nd
Row of FF102/50 to the Bottom
of the 3rd Row of FF102/50 is 43"

J4
DET

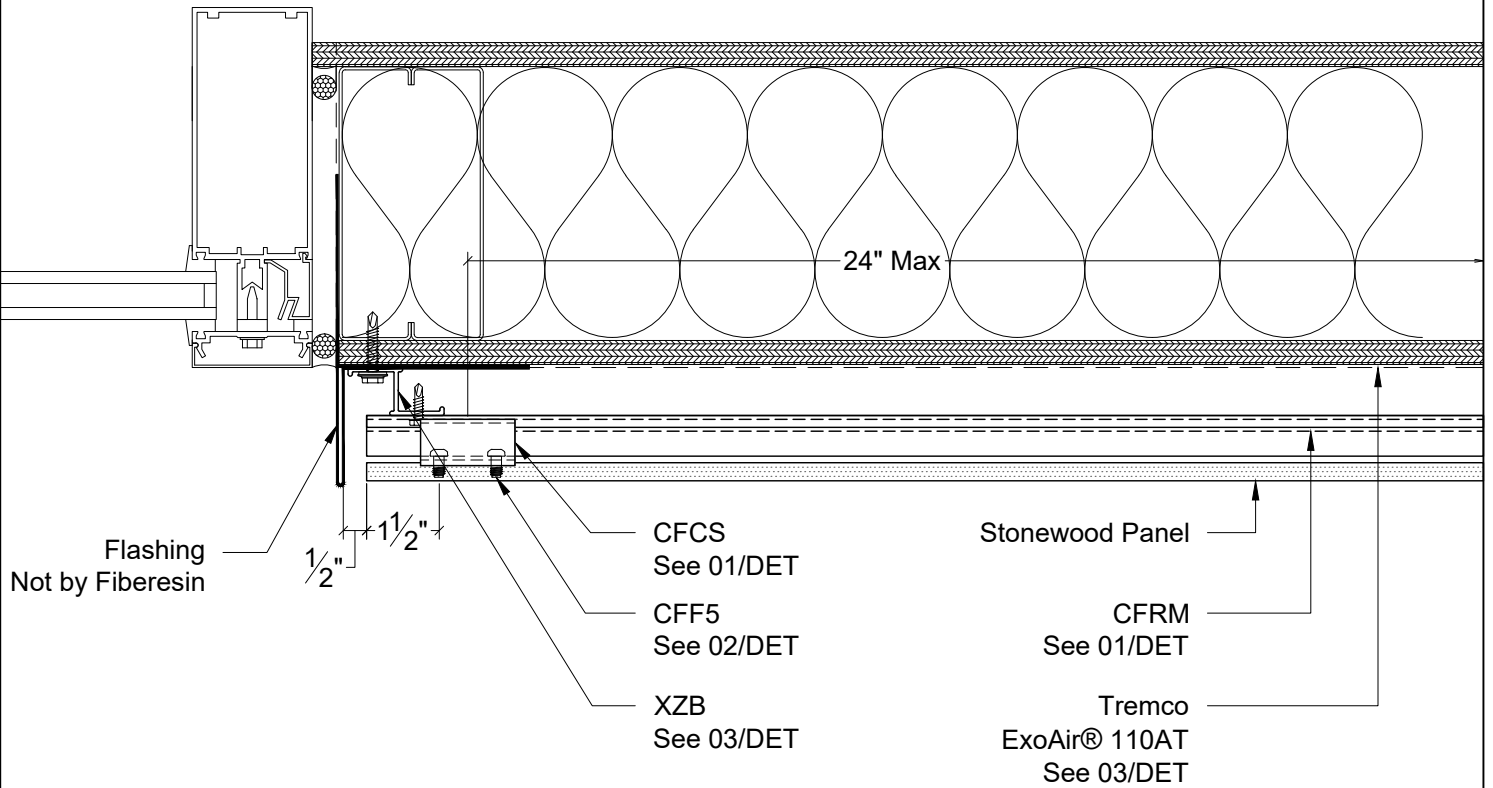
Section - Panel Above Window Opening, Third Row of TENMAT FF102/50





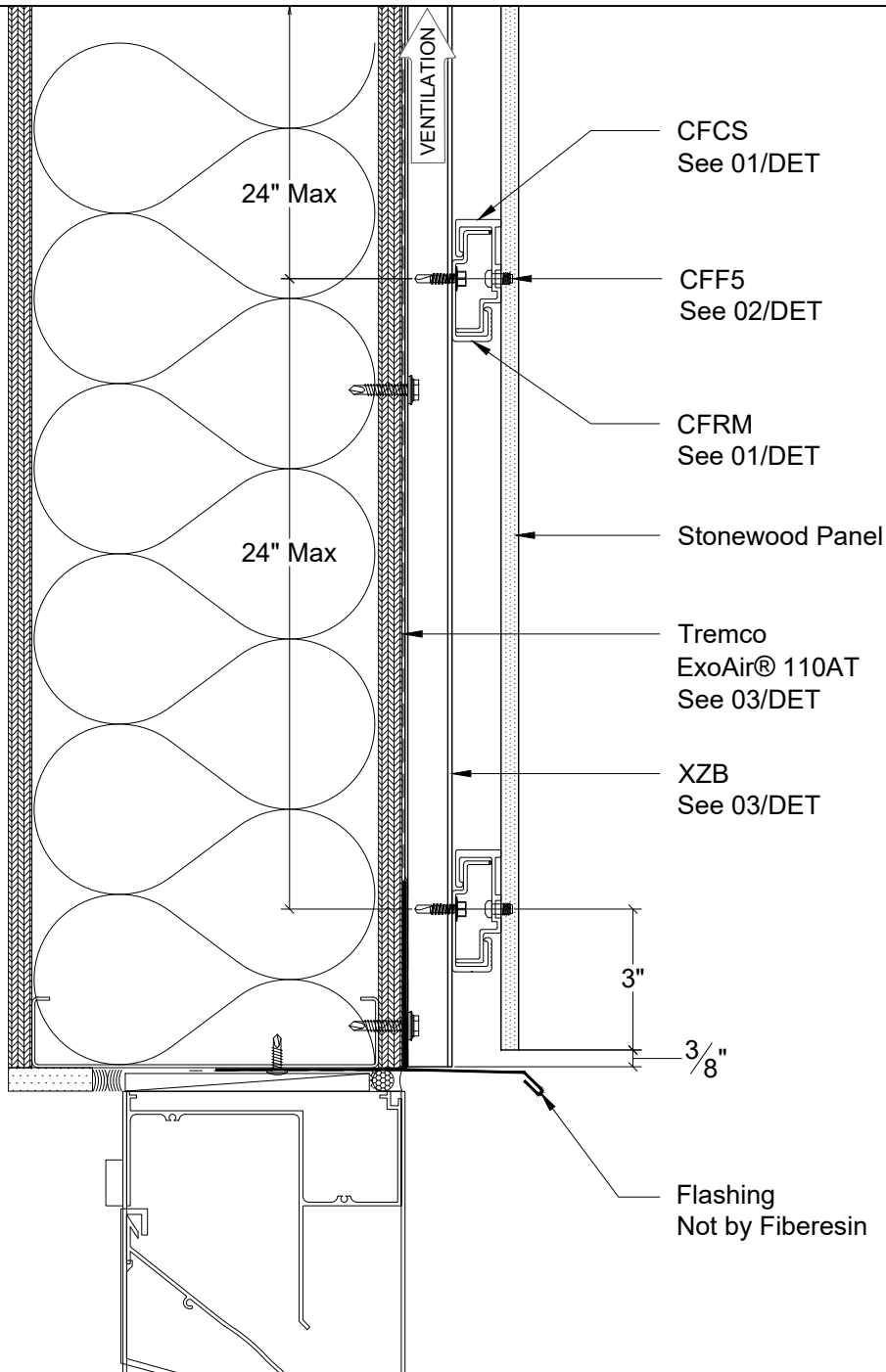
K
DET

Section - Panel at Window Sill

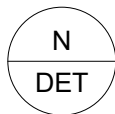
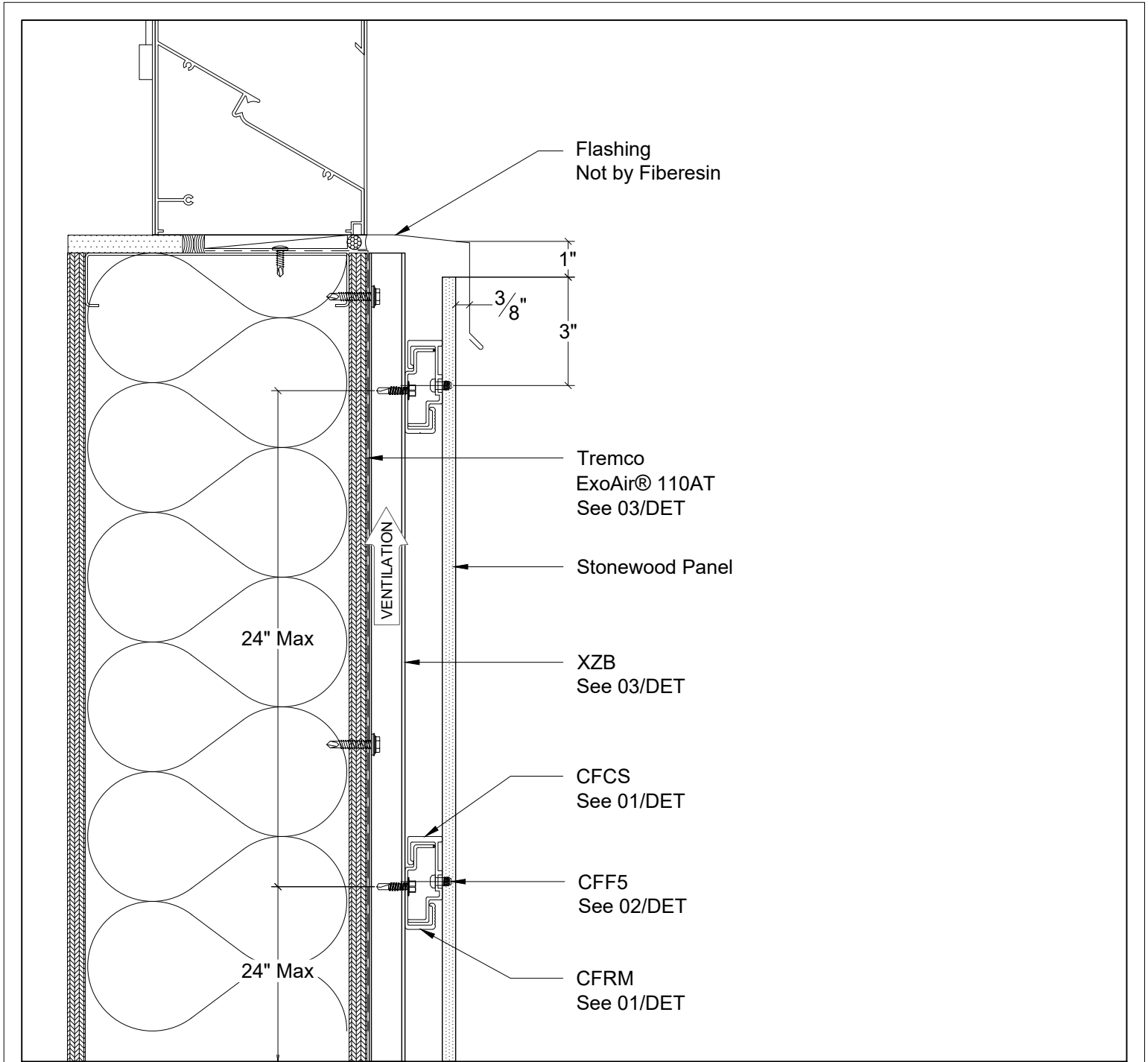


L
DET

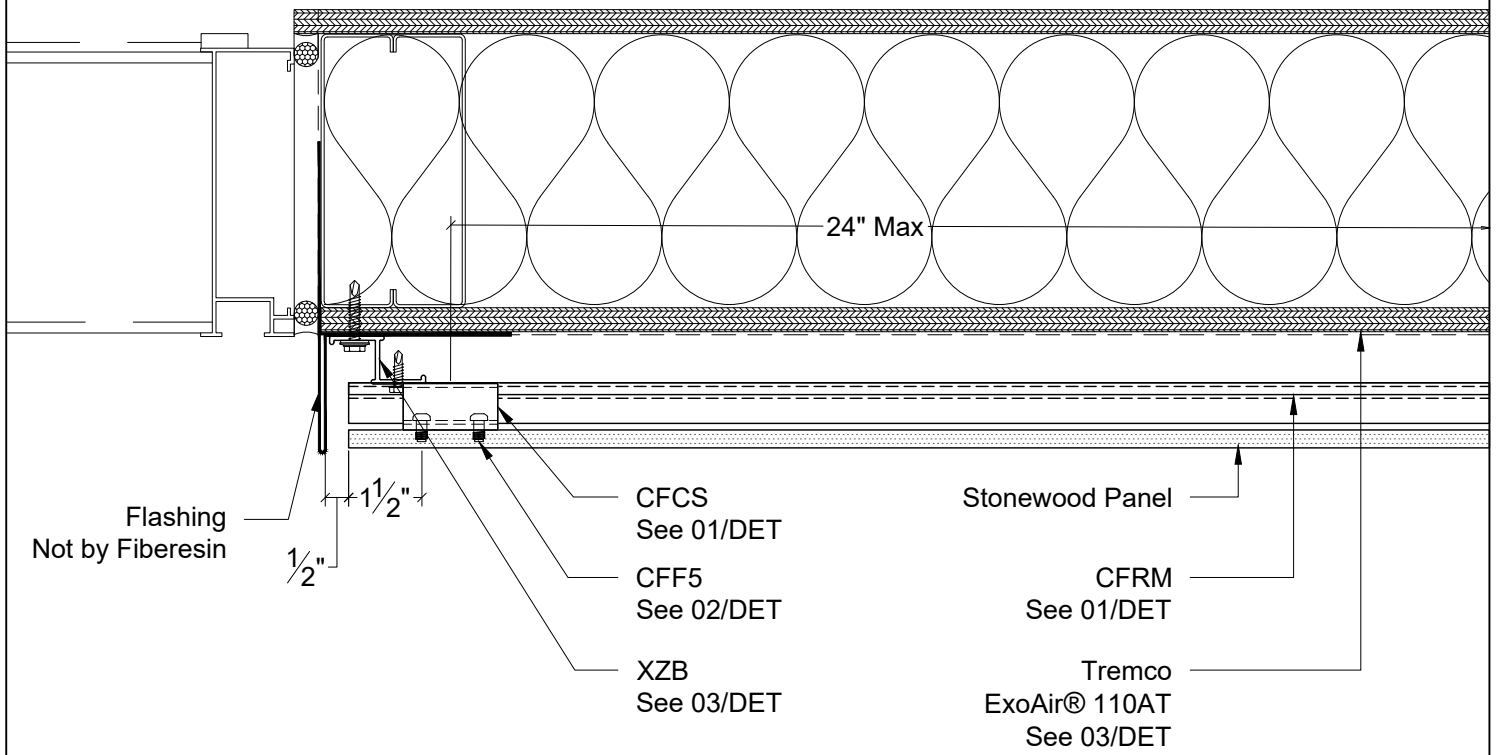
 Plan - Panel at Window Jamb



M Section - Panel at Louver Header
DET

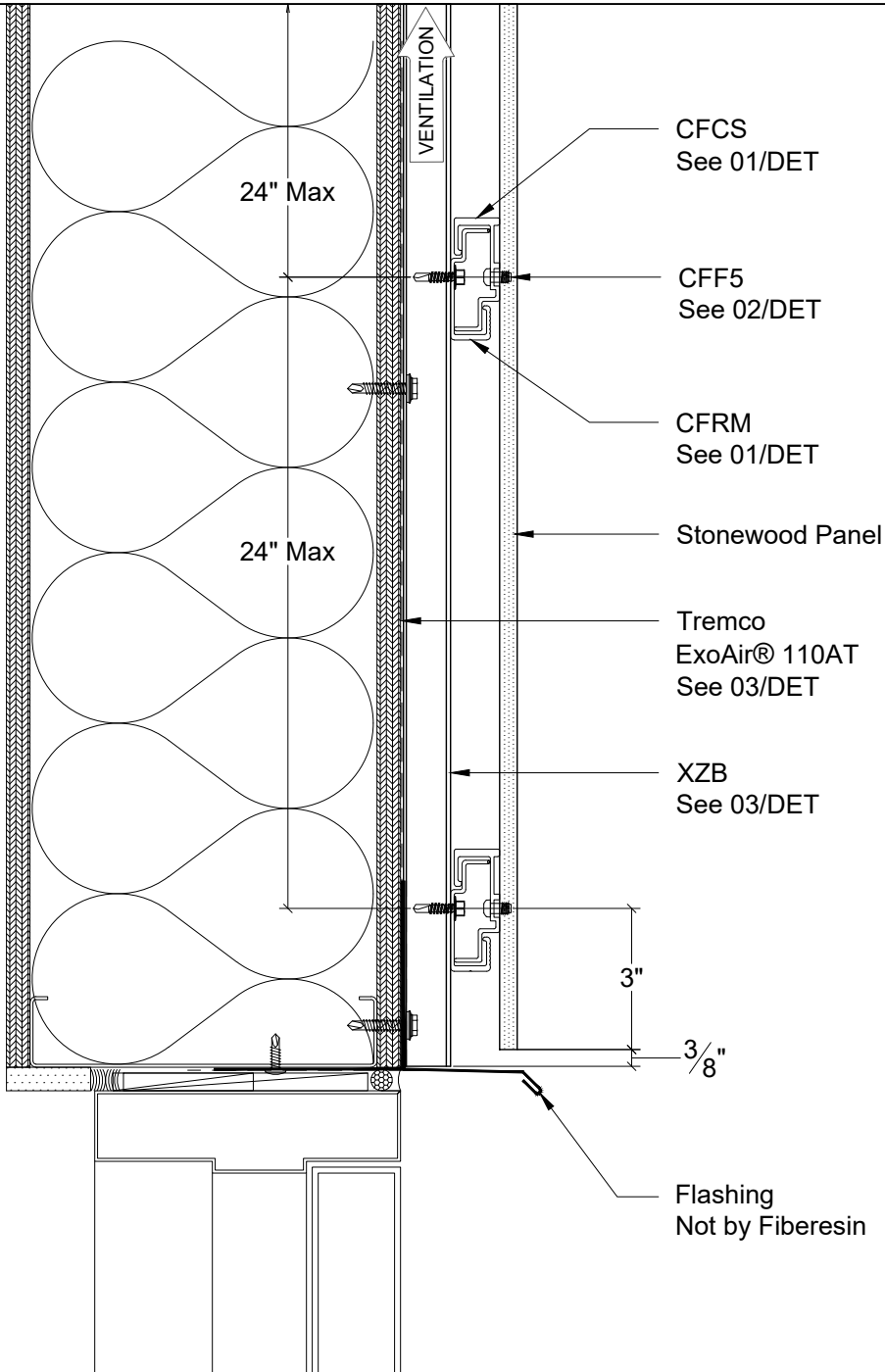


Section - Panel at Louver Sill

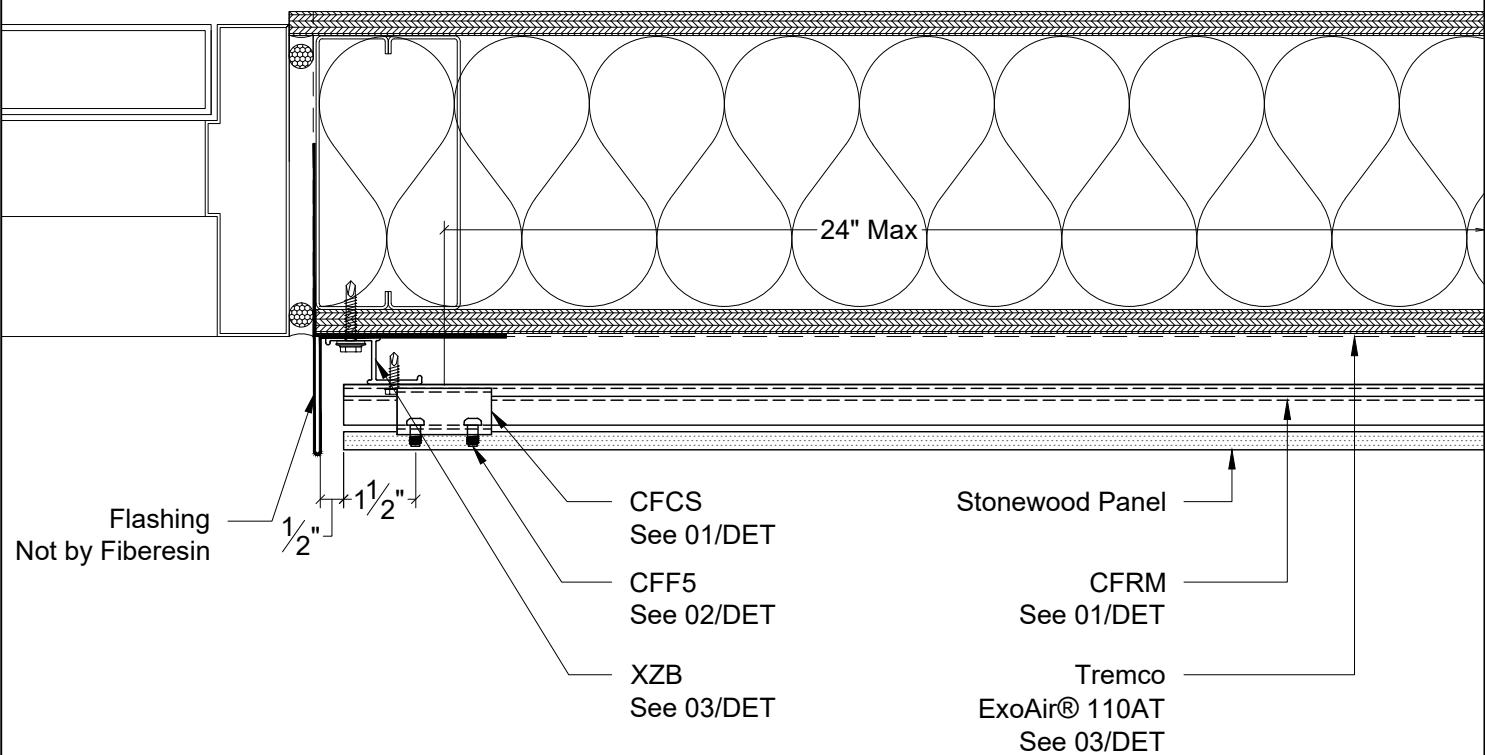


P
DET

Plan - Panel at Louver Jamb

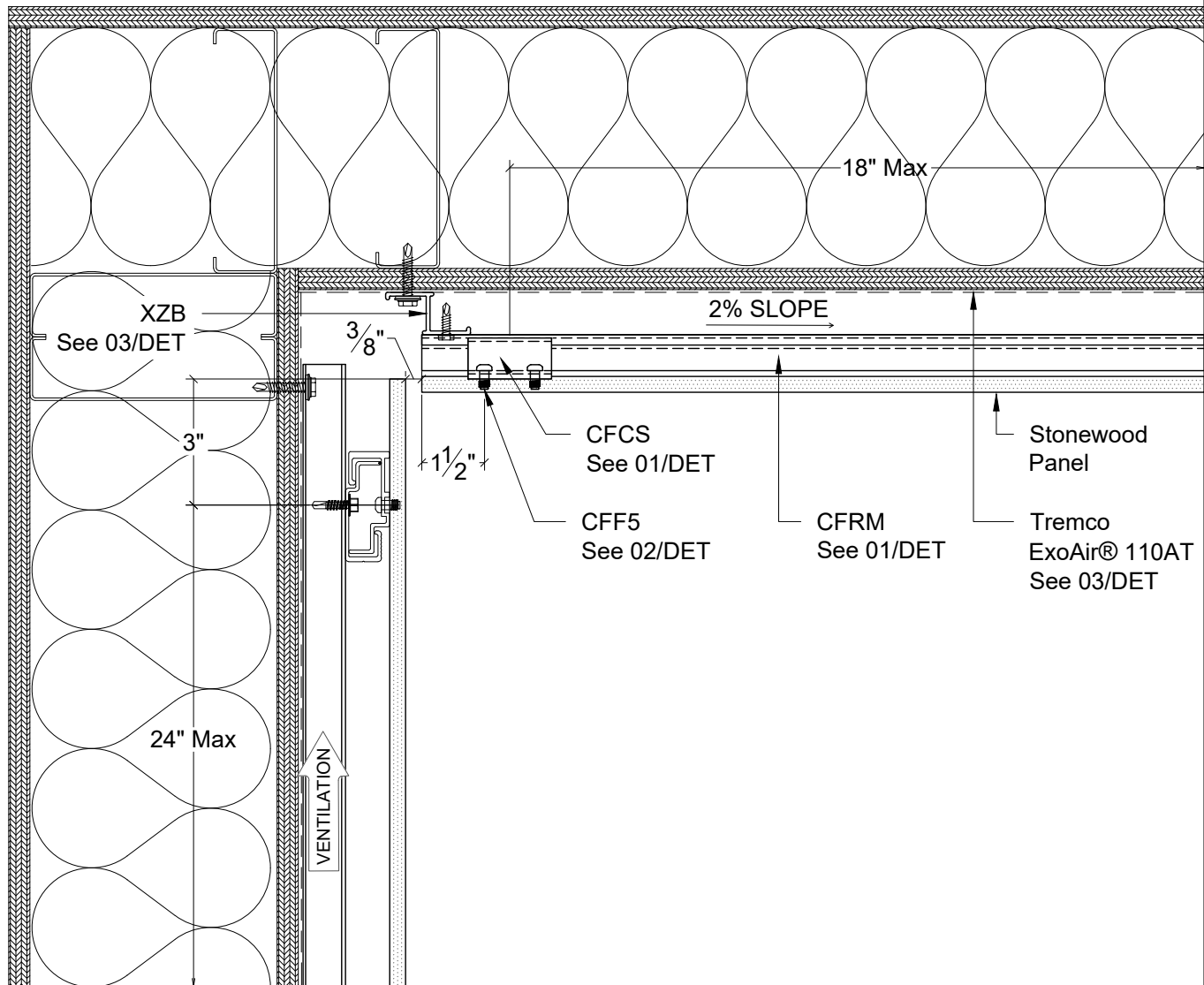


Q Section - Panel at Door Header
DET



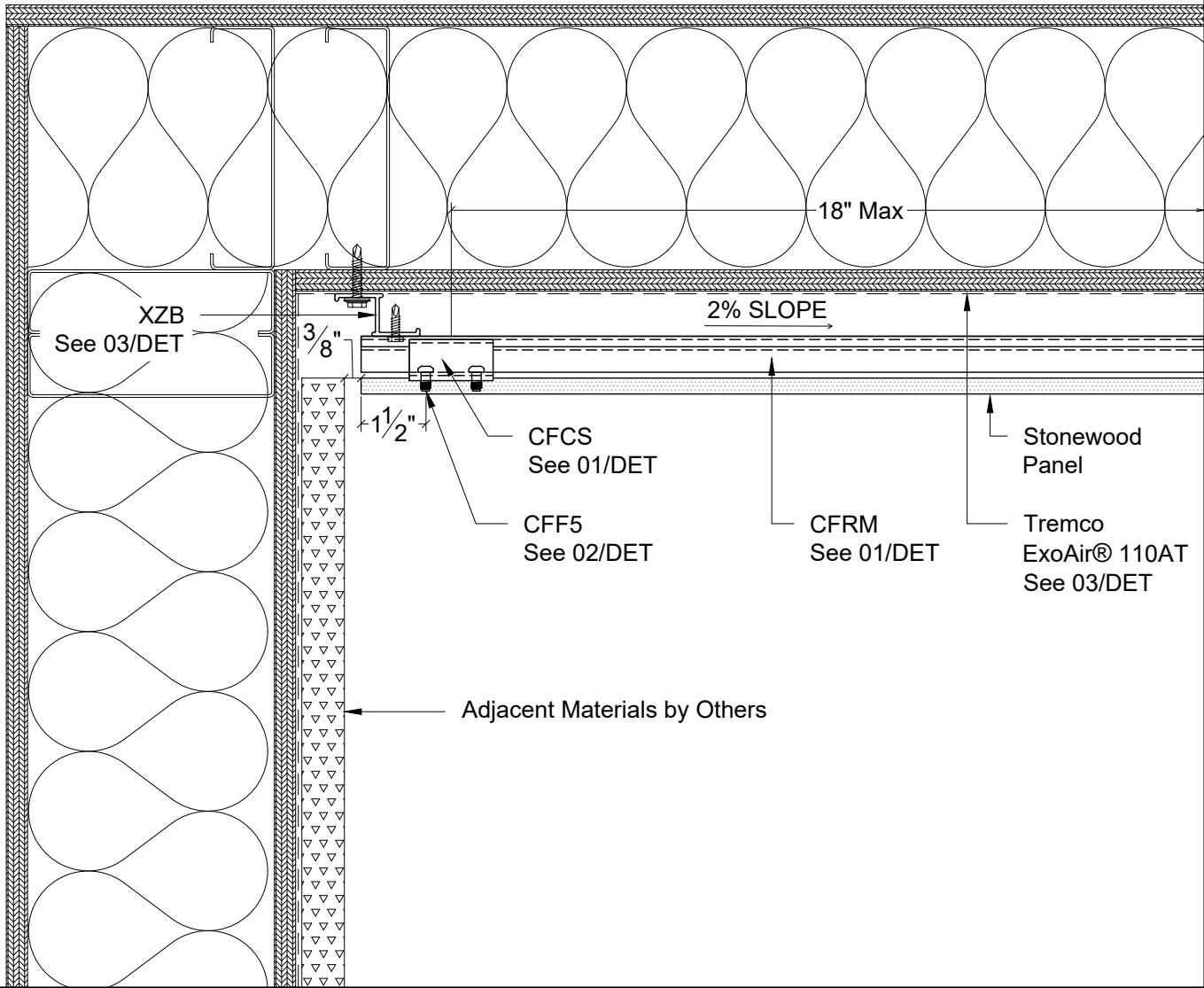
R Plan - Panel at Door Jamb
DET

Clip Spanning on Soffits
are Reduced to a
Maximum of 18" O.C.



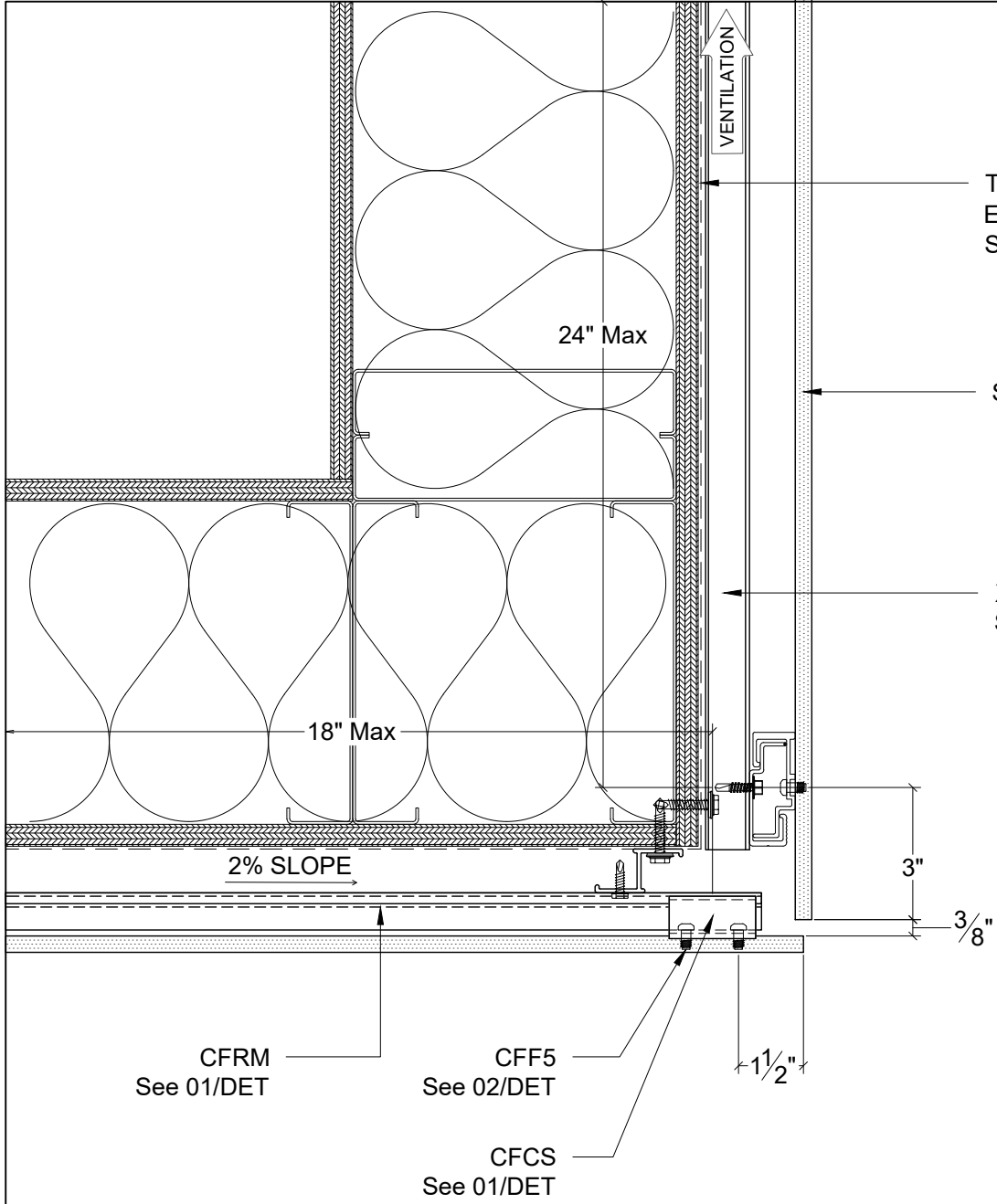
S1 Section - Panel at Wall to Soffit Transition: Primary
DET

Clip Spanning on Soffits
are Reduced to a
Maximum of 18" O.C.



S2 Section - Panel at Wall to Soffit Transition: Alternative
DET

Clip Spanning on Soffits
are Reduced to a
Maximum of 18" O.C.



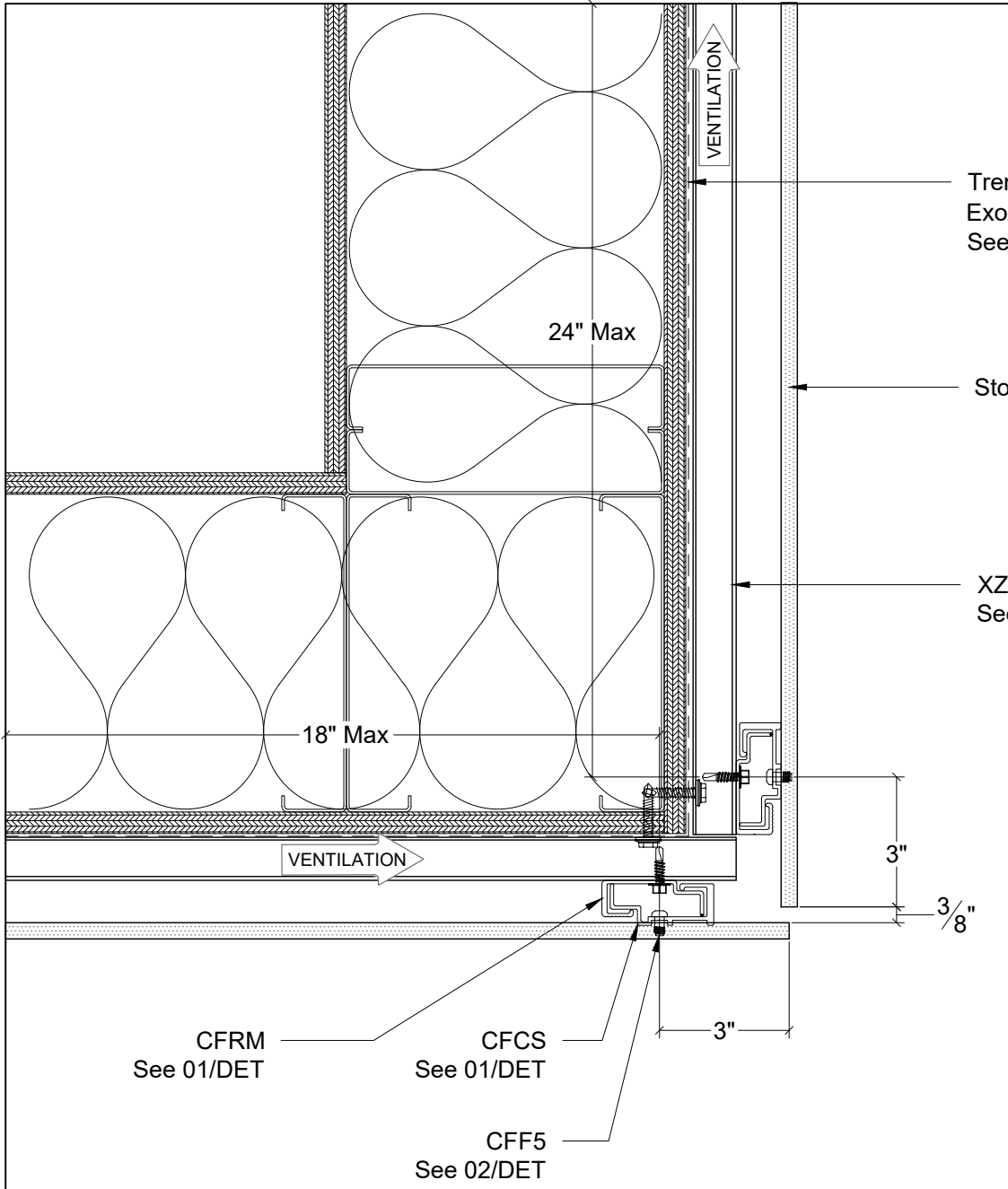
T
DET Section - Soffit to Fascia Transition: Drainage Plane



STONEWOOD CONCEALED FASTENER SYSTEM
NFPA 285 DETAIL SET

T
10-20-2021

Clip Spanning on Soffits
are Reduced to a
Maximum of 18" O.C.



U
DET Section - Soffit to Fascia Transition: Non-Drainage Plane



STONWOOD CONCEALED FASTENER SYSTEM
NFPA 285 DETAIL SET

U
10-20-2021