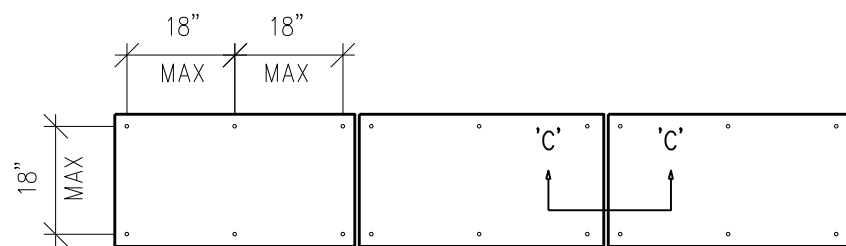


PHENOLIC PANEL SOFFIT DETAIL 'A'
SCALE: 6"=1'-0"



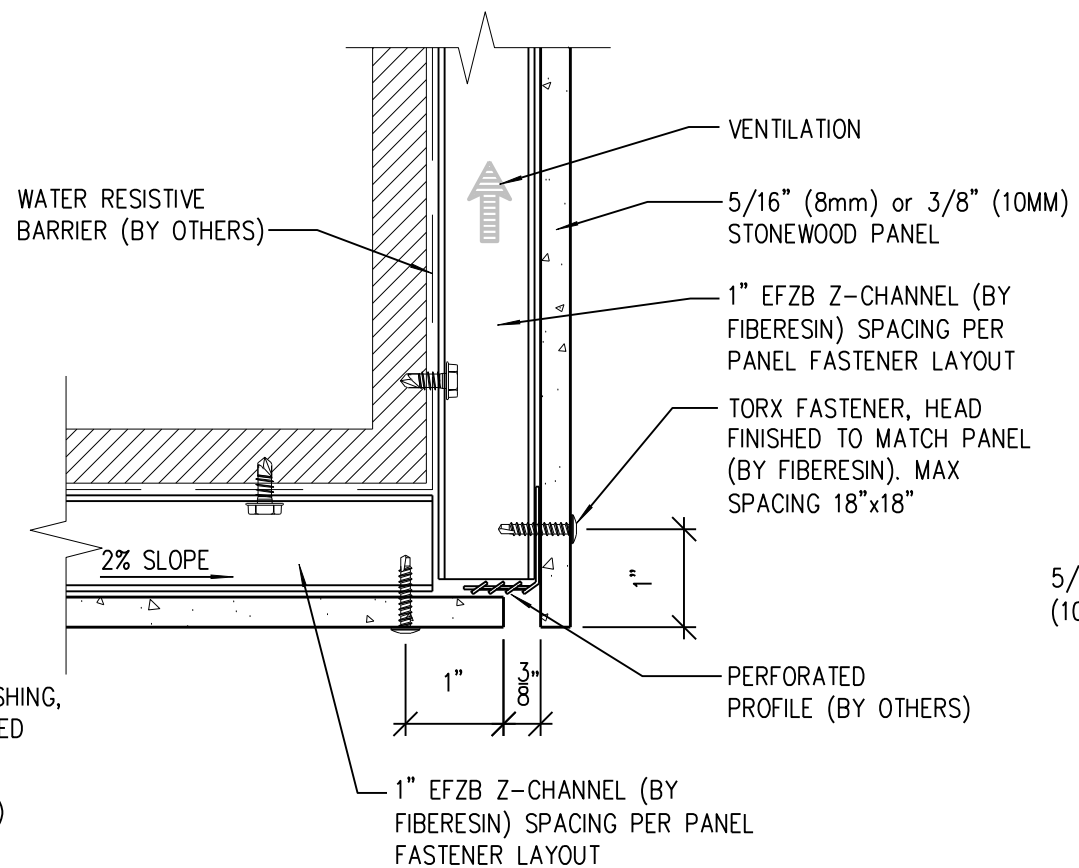
TYPICAL SOFFIT PLAN

SCALE: N.T.S.

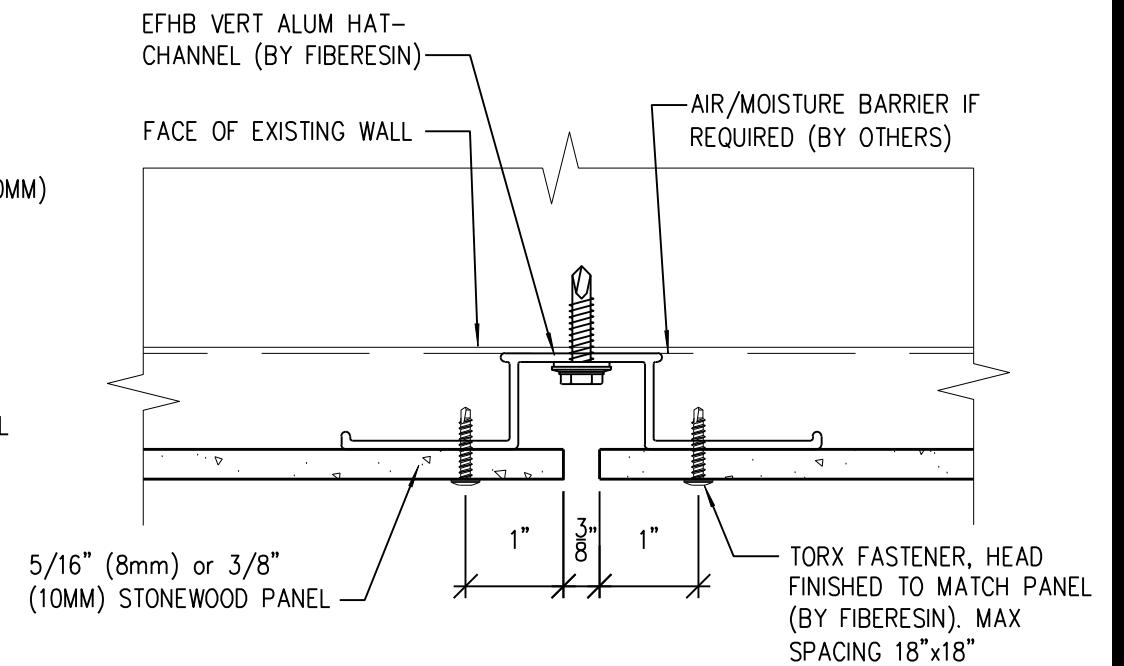
NOTES:

SHIMMING SHOULD BE IN ACCORDANCE WITH GENERALLY ACCEPTED WALL STANDARDS 1/4" : 20'

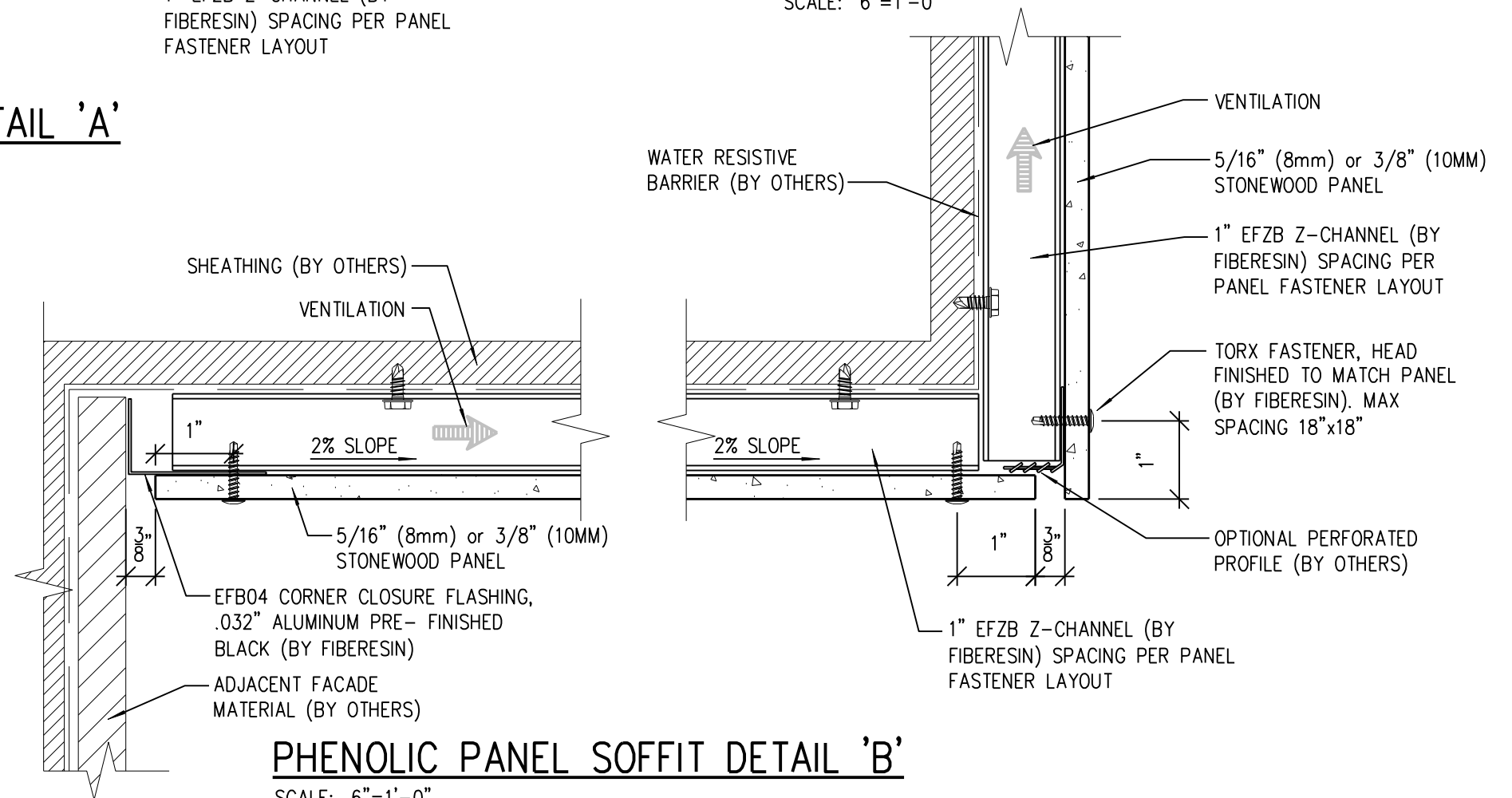
FASTENER SPACING FOR SOFFIT PANELS IS 18"x18" MAX FOR BOTH 8mm & 10mm THICK PANELS



PHENOLIC PANEL SOFFIT DETAIL 'B'
SCALE: 6"=1'-0"



PHENOLIC PANEL SOFFIT DETAIL 'C'
SCALE: 6"=1'-0"



Scale: 6"=1'-0"



FIBERESIN INDUSTRIES, INC.
37031 E. Wisconsin Ave - Oconomowoc, WI - 53066-3146
1-(262) 567-4427 www.fiberesin.com

Ref.: Soffit Details
Date: 04/16/2019